



**MODEL: LS 2617 CS
LS 3317 CS**

PETROL TRIMMER

**OPERATING
INSTRUCTIONS**

Thank you for purchasing a Lawn Star Petrol Trimmer which is one of the finest and most advanced products today's technology can produce. Before you begin using it, please read this manual carefully and familiarise yourself with the control and the proper use of this product to ensure you get the best possible performance from it.

SAFETY PRECAUTIONS

Inspect your trimmer and all its parts before each operation. If any part is damaged or worn, repair or replace before operation. Use only genuine Lawn Star (Pty) Ltd. replacement parts when servicing or repairing the unit. These parts are available from your supplying dealer or service agent. Have the trimmer repaired only by an authorised repairer. Use only genuine Lawn Star replacement nylon cutting line 2.40 mm (Part No. 80-24000), never metal.

WARNING: Petrol and its vapours are highly flammable. Always stop the engine before refuelling. Do not smoke or light any flames while refuelling. Wipe off any fuel that may have spilled. Start the engine away from the place where it was refuelled. Ensure the tank cap is tightened properly. Return the trimmer to its normal operating position before starting.

CAUTION: Exhaust fumes are toxic and asphyxiating. Inhalation may be lethal. Do not start the engine in closed or poorly ventilated environments.

It is essential that the operator wears safety goggles, face shield, gloves, ear muffs, shoulder harness, protective clothing and sturdy, non-slip footwear with toe-protector.

Do not use your trimmer for any jobs other than to cut grass and weeds. Do not use unless adequately guarded. Do not force your trimmer. If the engine labours, pull away from grass.

Do not operate trimmer without a line-trimming blade as over-extended line is dangerous and will damage engine and invalidate warranty.

Use care in picking up or holding the unit. Always hold the trimmer with both hands. Do not grasp the line-trimming blade located at the edge of the underneath side of safety guard.

Inspect the area to be cut and remove all debris that could be entangled in the cutting head. Also remove any object that the unit may sling during cutting.

Avoid dangerous environments. Do not use the unit in poor light or in damp or wet locations. Do not use in the rain. Do not use on steep slopes, especially if damp. Work across slope faces, not up and down. Do not over-reach. Ensure good footing and balance is maintained.

Do not operate trimmer when tired, ill, or under the influence of alcohol, drugs or medication.

Keep hands and feet clear of the rotating cutting head while unit is in use. Cutting elements continue to rotate for a few seconds after switch-off.

Do not allow children under 16, nor anyone who is not familiar with these instructions to use the trimmer.

Children, pets and onlookers should be kept at least 15 meters away from the work area, unless shielded by an effective solid barrier.

Before storage allow the engine to cool. Store the unit indoors in a dry, ventilated and locked place, out of reach of children.

PREPARATIONS FOR USE

- Mount the guard from the side by inserting the guard around the guard mount (Fig 1). Secure with screw, flat washer and spring washer supplied.
- Attach "C"-shaped assist-handle to upper tube "A" by clipping over the shaft (Fig.2-1). Adjust to the most comfortable position for trimming, fit and tighten the bolt and knob provided (Fig.2-2).
- Align drive shaft square inside tube "B" with drive shaft coupling inside tube "A". Insert tube "B" into coupling on the end of tube "A" ensuring that the button engages with the hole in the coupling (Fig.3-1). Rotate tube or cutting head slightly to ease assembly. Tighten knob to lock tubes (Fig.3-2).

FUELLING: This product is equipped with a 2-stroke engine which requires 2-stroke lubricating oil to be pre-mixed with petrol. Use only genuine Lawn Star 2-stroke engine oil (Part No. 90-20000) and use lead-free petrol (Octane 95). Mix both thoroughly (as per fuel-mix ratio) in a separate container. Always prepare the fuel-mixture and refuel the trimmer outside in a well ventilated environment (Fig.4). Do not smoke! Do not use marine or automotive 2-stroke oil.

Fuel-mix ratio for normal 2-stroke engine oil - 1:25 (4%) e.g. 40 ml of oil per 1 litre of petrol

Always stop the engine before refuelling. Do not smoke or light any flames while refuelling. Wipe off any fuel that may have spilled. Start the engine away from the place where it was refuelled. Ensure the tank cap is tightened properly. Return trimmer to its normal operating position before starting.

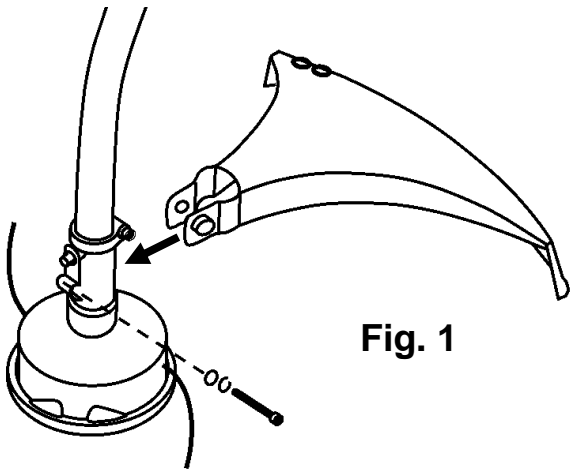


Fig. 1

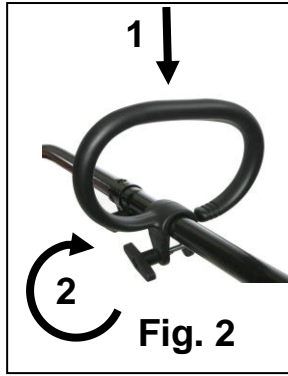


Fig. 2

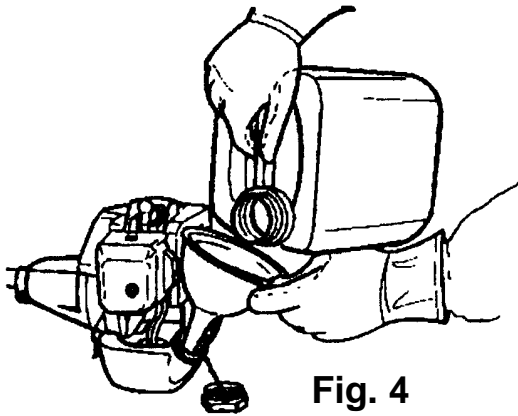


Fig. 4

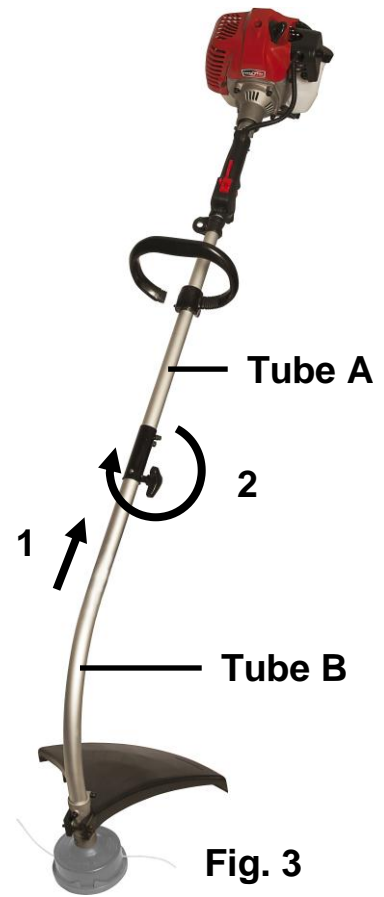


Fig. 3

SYMBOL

EXPLANATION



Attention! Observe the following safety warnings



Read operating instructions



**Wear approved safety goggles or face shield
Wear approved safety ear protection
Wear approved safety helmet**



Keep bystanders at least 15 meters away from trimmer



Wear approved safety gloves



Wear approved non-slip safety boots / shoes



Beware of thrown objects by the cutting-head

STARTING COLD ENGINE AND STOPPING

1. Switch the ON/OFF switch (Fig 5) to the “ON” position.
2. Lift the choke lever located to the right of the carburettor cover (Fig.6) and place it in the H position.
3. Repeatedly press the primer bulb (Fig.7) until the fuel is pumped back to the tank through the second transparent pipe (Fig.8).
4. Grip the throttle control handle by pressing the trigger lock-off lever (Fig.9-No1) with the palm of the hand, then fully depress the throttle trigger (Fig.9–No2) with your fingers and simultaneously push in the throttle lock-on button (Fig.9-No3) with your other hand.
5. While holding the throttle lock-on button down, release the throttle trigger. This will lock-on the throttle trigger so that both hands are free to start the engine.
6. Pull the starter cord three times fully (Fig.10).
7. Set the carburettor lever to run III (Fig.11)
8. Pull the starter cord (Fig.10) repeatedly until the engine starts and allow to run for a few seconds.
9. Depress the throttle trigger (Fig.9-No2) and the throttle lock-off button will release automatically. The engine will idle and the clutch will disengage causing the cutting head to remain stationary.
10. To stop the engine switch the ON/OFF switch to the “OFF” position (Fig.12)

STARTING WARM ENGINE

Proceed as with cold engine start but with the choke lever in the run position III (Fig.11)

OPERATING INSTRUCTIONS

When properly assembled with safety-guard and cutting-head, your unit will cut unsightly weeds and grass in those hard-to-reach areas along fences, walls, foundations and around trees.

NOTE: Even with care, trimming around foundations, brick or stone walls, kerbs etc. will result in above normal line wear.

TRIMMING

For normal trimming, the trimmer cutting-head should be inclined at about 30 degrees to the lawn, while cutting towards the left in a sweeping motion. Always cut away from the operator. Do not pull trimmer in towards operator.

FENCE / FOUNDATION TRIMMING WITH LINE CUTTING-HEAD

Approach trimming around chain link fences, picket fences, rock walls and foundations slowly to cut close without whipping line against the barrier. If the line comes into contact with rock, brick walls, or foundations, it may fray as it wears. If line snags fencing, it may snap off.

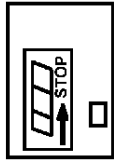
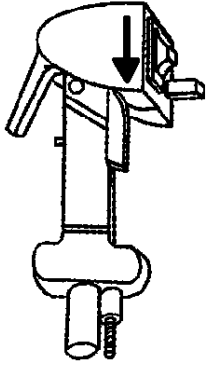
TRIMMING AROUND TREES

Trim around tree trunks with a slow approach so the line does not contact bark. Walk around the tree trimming from the right to the left. Approach grass or weeds with the tip of the line and tilt cutting-head forward.

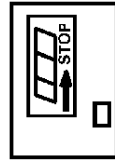
CUTTING-HEAD LINE FEED

As the cutting line wears and shortens the cutting performance is reduced. In order to maintain optimum performance ensure that the cutting lines are fully extended. To extend additional line, tap the centre of the cutting head lightly on the ground WHILE THE UNIT IS RUNNING AT MAX RPM. The line will automatically lengthen. Excess line will be clipped off by the blade on the safety guard. Note: Cutting line wears more rapidly if trimming against hard surfaces such as bricks, concrete or asphalt. Extend line regularly to ensure optimum performance at all times.

Fig. 5



ON



OFF

Fig. 6

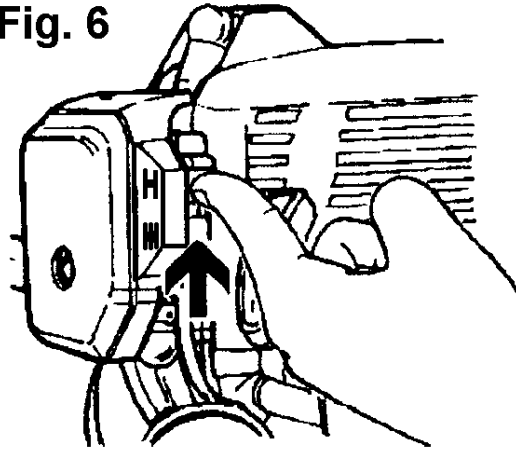


Fig. 7

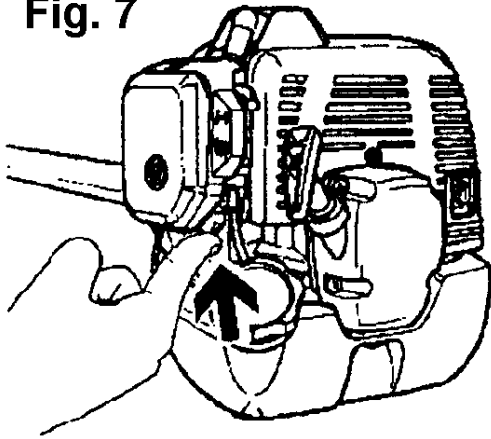


Fig. 8

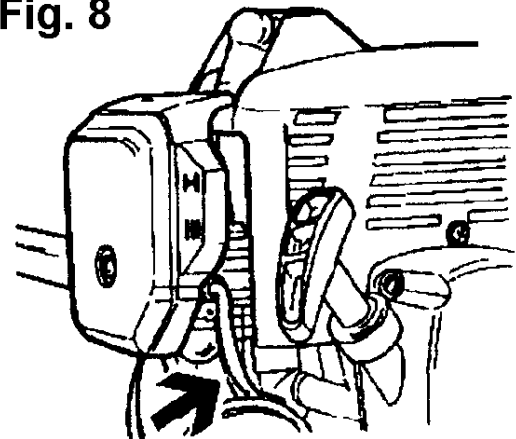


Fig. 9

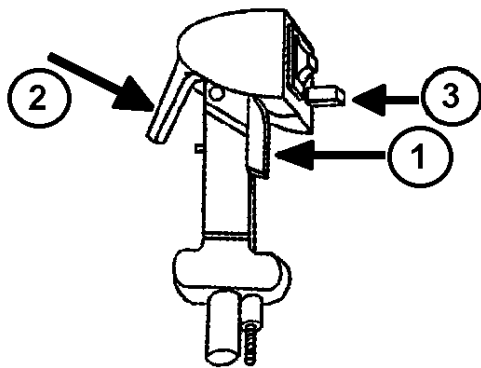


Fig. 10

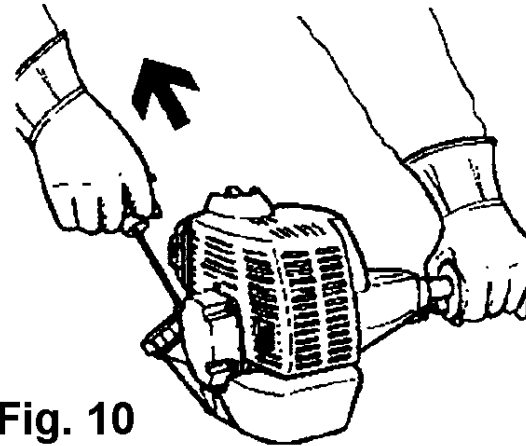


Fig. 11

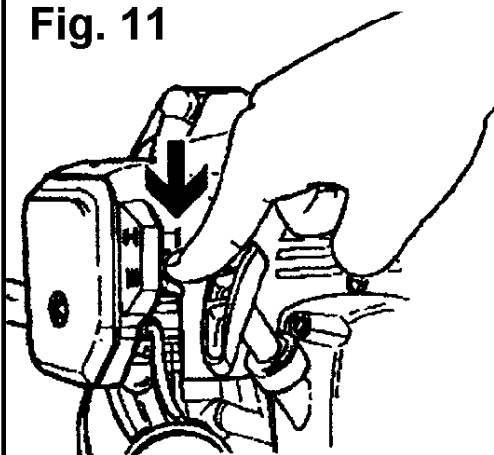
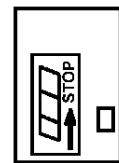
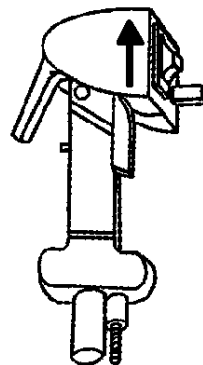


Fig. 12



ON



OFF

CARE, MAINTAINANCE, STORAGE AND TRANSPORT

Spark plug: Check every 12 months or if starting problems are experienced. When the engine is cold, remove the plug cap and unscrew the spark plug with a suitable spark plug socket (Fig.13). If the electrodes are excessively soiled or worn then replace with an equivalent new spark plug (eg.LDL7RTF).

Excessive soiling may be due to a) too high ratio/poor quality 2-stroke oil or b) clogged air filter. Replace spark plug and screw in by hand to avoid stripping of thread, then tighten with socket.

Air filter: Clean air filter regularly. Unscrew cover (Fig.14) and remove foam filter (Fig.15). Wash filter with soap and water and allow to dry before replacing. Fit new filter if damaged.

Fuel intake filter: Replace every 12 months. Remove with hook through tank refilling inlet.

Silencer spark arrester screen: The spark arrester screen fitted at the exhaust opening (Fig.16) becomes blocked by deposits over a period of time and must be removed with pliers to be cleaned or replaced.

Transport and storage: If trimmer is unused for more than 2 months or being transported, then empty the fuel tank. Before storage allow the engine to cool. Store the unit indoors in a dry, ventilated and locked place, out of reach of children.

CAUTION

Allow engine to reach maximum RPM before cutting brush or trimming grass.

For the most effective cutting, cut approximately 25 mm into grass, allowing the tip of the line (teeth on the bade disc) to cut. Do not force the trimmer into the work.

Periodically remove weed wrap from beneath the cutting-head / blade to prevent overheating the engine. Weed wrap occurs when strands of weeds become entangled around the shaft beneath the cutting-head / blade. Remove weed wrap, with a screwdriver or similar device and ensure cutting-head / blade rotates freely.

RENEWING THE CUTTING LINE

Hold the cutting-head with one hand and unclip the cap with the other hand by pressing in the tabs on either side of the cutting head and simultaneously lifting the cap (Fig.17). Take out the spool (Fig.18). Remove any old bits of line. The new nylon line should not exceed 8,0 metres in length. (Use only genuine Lawn Star 2.40 mm replacement line). Uncoil the new line completely. Double over in the middle so that you have two equal lengths. Insert the doubled-over loop into the slot provided in the spool divider and push to the bottom (Fig.19). Wind the two lengths onto the spool (one length on each side of the spool divider) in the direction shown on the spool flange. When each of the spool compartments is full, the centre divider rim should still be visible. Ensure the line is wound neatly and tightly. This is important. Clip the ends of the line into the holding slots provided, leaving enough free length to facilitate threading through the eyelets (Fig.20). Pass the line ends through the eyelets in the spool housing and replace spool into housing (Fig.21). Make sure the spring and washer are still in place inside the housing shaft. Replace the cap together with the washer ensuring that it is firmly clipped in place (Fig.22). Pull on the line ends to release the spool from the “ locked “ position to the operating position. Trim off excess trimming line that extends beyond the line-trimming blade before starting engine. **ENSURE CAP IS PROPERLY LOCKED IN PLACE BEFORE STARTING ENGINE.**

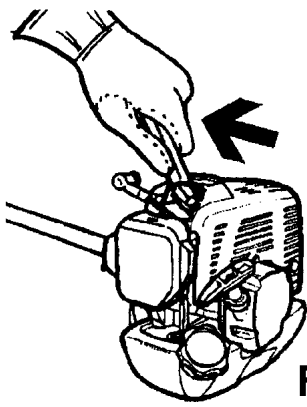
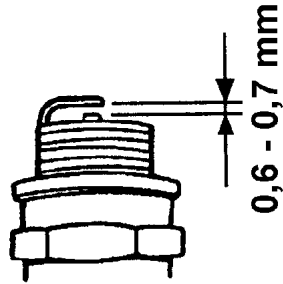


Fig. 13



0,6 - 0,7 mm

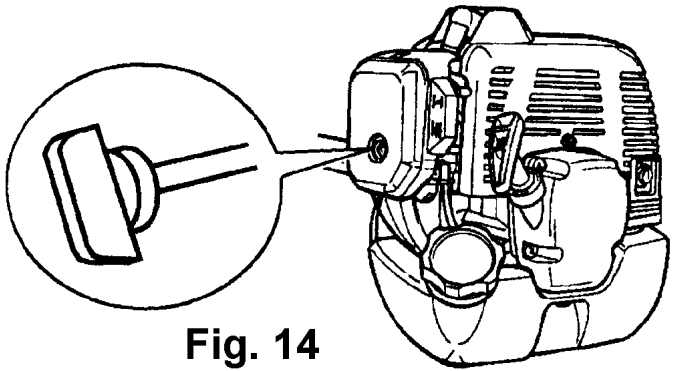


Fig. 14

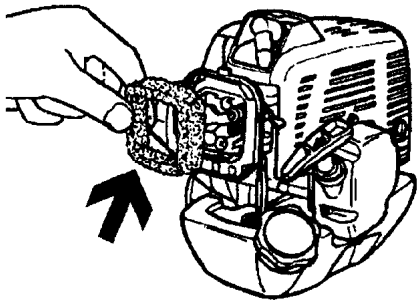


Fig. 15

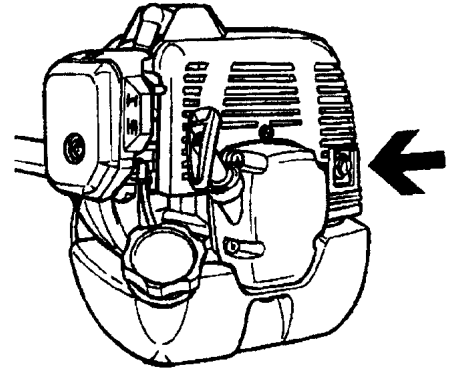
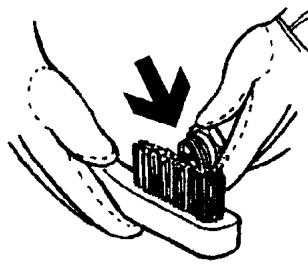


Fig. 16

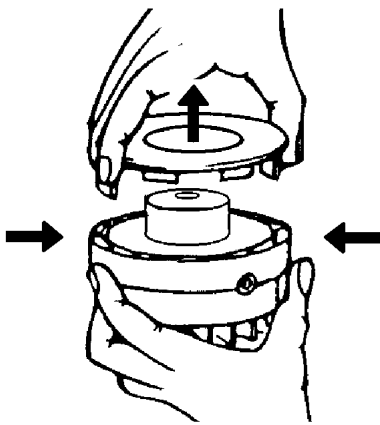


Fig. 17

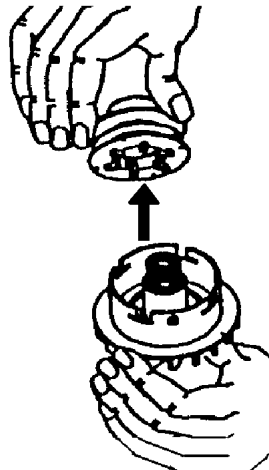


Fig. 18

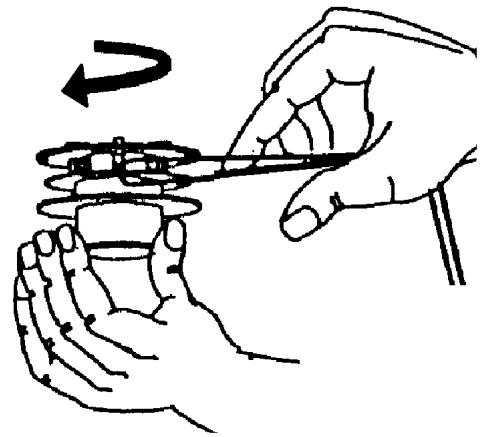


Fig. 19



Fig. 20

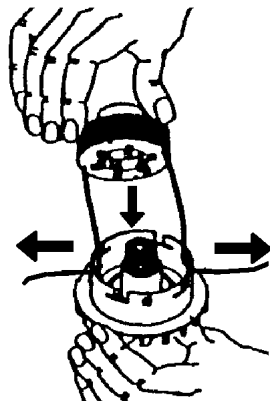


Fig. 21

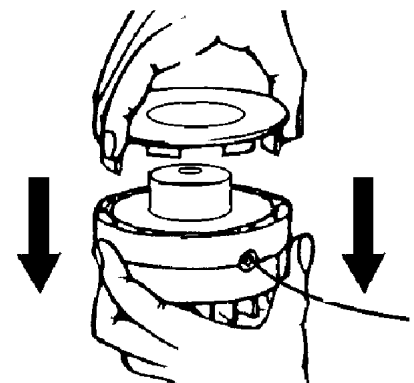


Fig. 22

TROUBLE SHOOTING GUIDE

PROBLEM	PROBABLE CAUSE	CORRECTIVE ACTION
Engine won't start	No spark	Check spark by removing spark plug and re-attaching cap and pulling starter cord. If no spark replace with new spark plug.
	No fuel	Pump primer bulb, if no fuel flows then pipes blocked. Have serviced. If primer bulb fills then engine may be flooded
	Flooded engine	Remove spark plug, turn engine upside down, set choke to run, pull starter cord 10 times, clean spark plug and refit.
Engine will not rev	Carburettor needs tuning	Have serviced
	Blocked exhaust spark arrestor	Remove spark arrestor, clean & refit
Engine will not rev and emits smoke	Check fuel/oil mix	Use fresh and correct fuel mix
	Dirty air filter	Clean per instruction
Line won't feed	Line is tangled inside cutting-head or trapped under tabs on Spool	Remove spool from unit, untangle line and wind correctly in direction of arrow on spool
	Upon removing spool, line appears to be melted together	Trim off damaged line and rewind spool
	Line wound in the wrong direction	Rewind line ensuring that both lines are wound in the same direction as the arrow on the spool
	Insufficient line on spool	Remove spool and fit new line
	Internal damage to cutting-head	Disassemble cutting-head and examine parts for damage. Replace parts or entire cutting-head
Line snaps off or frays	Improper trimming procedures or poor quality line	See general operating instructions or replace line
	Metal eyelet damaged	Replace spool housing
Engine slows down while cutting	Weed wrap	Remove weed wrap between cutting-head and motor
	Trimmer being forced into grass	Pull away from cutting area, see operating instructions in manual

Maintenance Chart: Petrol Trimmer

		Before starting work	After finishing work or daily	After each refuelling stop	Weekly or 20 hours	Monthly or 40 hours	If faulty	If damaged	As required
Complete machine	Visual inspection (Condition, leaks, engine cover, safety guard)	User		User					
	Clean, retighten		User	User					
Throttle Lever	Check operation	User							
Filter in fuel tank	Clean				User				
	Replace element								Service Agent
Fuel tank	Clean				User				
Air filter	Clean	User							
	Replace							User	
Cylinder fins	Clean		User						
Carburettor	Check idle adjustment, cutting tool must not turn								Service Agent
Spark plug	Replace						User		
All accessible screws and nuts (not adjusting screws)	Retighten								User
Spark arrestor screen in muffler	Inspect	User							
	Clean or replace							User / Service Agent	
Nylon cutting head	Visual inspection	User		User					
	Replace							User	User
Driveshaft lubrication	Check								Service Agent
	Grease								Service Agent
Exhaust	Decoke / decarbonize								Service Agent

The user of the petrol trimmer may perform only the maintenance operations described in this manual.

Other repair and maintenance work may be performed only by an authorised Lawn Star service agent.

Warranty claims following a repair will be accepted only if the repair has been carried out by an authorised Lawn Star service agent using original Lawn Star parts.

LAWN STAR (PTY) LTD.

WARRANTY CARD

LS 2617 CS & LS 3317 CS

Please read carefully

This card is required for warranty repair claims. Please fill in this card and keep it in a safe place, stapled to the original proof of purchase. The original proof of purchase (i.e. receipt, invoice, docket, etc.) must show the original date of purchase and clearly identify the product.

WITHOUT THIS CARD AND ORIGINAL PROOF OF PURCHASE, ANY WARRANTY BECOMES NULL AND VOID.

Make:.....Serial No:.....Date of Purchase:.....
Model:.....

PURCHASER

NAME:
ADDRESS:
PHONE :

PURCHASED FROM

NAME :
ADDRESS:
PHONE:

LIMITED DOMESTIC USE WARRANTY

Lawn Star (Pty) Ltd. guarantees this unit to be free from defects in material and workmanship. If any such defect should become apparent during a period of

12 MONTHS

from the date of the original purchase, we undertake to repair this unit free of charge or replace this unit with a factory reconditioned unit at our discretion. This does not prejudice your rights in terms of the Consumer Protection Act.

Transport costs to our service centre and back to the owner, should such costs occur, will be carried by the owner of the unit.

The repaired or replaced unit will be covered by this warranty for the remainder of the original warranty period.

This warranty covers only the original purchaser of this unit.

This warranty becomes invalid if :

- the unit has been used commercially or for rental purposes;
- damage has been caused by misuse, abuse, accident or normal wear and tear;
- spares and accessories other than specified by us are used with this unit;
- the unit has been opened, altered or otherwise tampered with;
- the unit has been used without safety-guard and line-trimming blade in place.
- the engine has been run without 2-stroke engine oil pre-mixed as per instruction
- marine or automotive 2-stroke oil is used

Line trimming blade, cutting head and line are wearing parts and are not covered by Warranty.

PLEASE READ AND UNDERSTAND THE INSTRUCTION MANUAL BEFORE YOU OPERATE THIS UNIT.

LAWN STAR (PTY) LTD.

For service and warranty repairs please contact your nearest Service Agent listed below:

CUSTOMER CARE : 0860-LAWNSTAR

HEAD OFFICE : 98 Bofors Circle, Epping 2 South, Cape Town
PO Box 496, Parow, 7499

Tel: 021-535-5249

Fax: 021-535-4624

EASTERN CAPE: Tel: 041-364-2415

Fax: 041-364-2178

FREE STATE : Tel: 082-556-6325

Fax: 086-691-6297

GAUTENG : Tel: 011-979-0162

Fax: 011-979-0174

KZN : Tel: 031-579-4390

Fax: 031-579-4400

WEST COAST : 082-826-0316

NORTHERN CAPE: 082-826-0316

OVERBERG : 084-609-7341

NAMIBIA : Tel: 061- 232-475

Fax: 061- 242-139

BOTSWANA : +267-318-6851

ZIMBABWE : +263-4-486 192/646

For more information visit: www.lawnstar.co.za