



PETROL LAWNMOWER

OPERATING INSTRUCTIONS

MODELS: LSQ 6548 ML



M-851-47

Thank you for purchasing the Lawn Star Lawnmower which is one of the finest and most advanced lawnmowers today's technology can produce. Before you begin using it, please read this manual carefully and familiarise yourself with the control and the proper use of this product to ensure you get the best possible performance from it. The operator or user is responsible for accidents or hazards occurring to other people or their property.

SAFETY PRECAUTIONS

Inspect your lawnmower and all its parts before each operation. If any part is damaged or worn, repair or replace before operation. Use only genuine Lawn Star (Pty) Ltd. replacement parts when servicing or repairing the unit. These parts are available from your supplying dealer or service agent. Use only genuine Lawn Star replacement cutting blades Part No. M-254-00 / 650120315. Always replace blades in complete sets to preserve balance.

WARNING: Petrol and its vapours are highly flammable. Always stop the engine before refuelling.

Do not smoke or light any flames while refuelling. Wipe off any fuel that may have spilled. Start the engine away from the place where it was refuelled. Ensure the tank cap is tightened properly.

Disconnect the lead from the spark plug before servicing or when changing parts such as the blades.

CAUTION: Exhaust fumes are toxic and asphyxiating. Inhalation may be lethal. Do not start the engine in enclosed or poorly ventilated environments.

The operator must wear protective clothing, long trousers and sturdy, non-slip footwear.

Do not operate the mower when barefoot or wearing open sandals.

Do not use your lawnmower for any jobs other than those for which it was intended.

Do not use unless the entire grass catcher is attached or the rear guard is in place.

Do not start the engine unless all four wheels are resting squarely on the lawn being mowed. Do not tilt or lift the mower while the engine is running. Stop the engine before pushing over surfaces other than grass.

Do not force your lawnmower. If engine labours, mow in multiple passes at different height settings.

Keep hands and feet well clear of rotating blades while the mower is in use. Cutting blades continue to rotate for a few seconds after switch-off. Never pick up or carry mower while the engine is running.

Inspect the area to be cut and remove all debris that could be entangled in the cutting blades. Also remove any solid objects, e.g. stones, sticks, wires and bones that the unit may sling during cutting.

Exercise extreme caution when mowing. Always walk, never run. Never cut grass by pulling the mower towards yourself. Do not walk backwards while mowing, you may trip.

Avoid dangerous environments. Do not use the unit in poor light or in damp or wet locations. Do not use in the rain. Do not use on steep slopes, especially if damp. Work across slope faces, not up and down. Do not over-reach. Ensure that good footing and balance are maintained.

Never operate the lawnmower when you are tired, ill or under the influence of alcohol or drugs.

Do not allow children under the age of 16, nor anyone who is not familiar with these instructions to use the lawnmower. Children, pets and onlookers should be kept at least 15 meters away from the work area, unless shielded by an effective solid barrier.

Before storage allow the engine to cool. Store the unit indoors in a dry, ventilated and locked place, out of reach of children.

PREPARATIONS FOR USE

Remove the lawnmower, handles, grass catcher and all other contents from the packaging. Remove the spanner, bolts and nuts supplied from the bag. Assemble the handles and tighten the knobs (Fig.1). Attach the handle ends to the lawnmower chassis, insert the four bolts provided and tighten the nuts using the spanner (Fig.2 No.1). Note: ensure the bolts point outwards. Assemble the grass catcher (Fig.3) by pressing the grass filter (Fig.3 No.3) into position and screwing the handle (Fig.3 No.2) on with the four 4.8 x 50 self-tapping screws and M5 washers provided. Assemble the two halves of the grass catcher (Fig.3 No.1) making sure that all the clips are fully clicked into position. Fit the M6 bolt, washer and nut in the two positions shown in (Fig.3). Fit the 2 x ST 4.8X20 screws to secure both halves of the grass catcher (Fig.3 No.4). Lift the rear guard flap (Fig.4 No.1) and attach the grass catcher (Fig.4 No.2) ensuring that the guard flap latches onto the grass catcher. Check that all blade bolts, screws, knobs, nuts and blade disc bolt are securely tightened.

Refer to the enclosed Engine Operating & Maintenance Instructions for further detail on preparing the engine for use.

CAUTION: THE ENGINE IS SUPPLIED WITHOUT ENGINE OIL. FILL OIL SUMP WITH OIL BEFORE STARTING. STARTING THE ENGINE WITHOUT OIL WILL DAMAGE IT AND VOID ALL WARRANTIES.

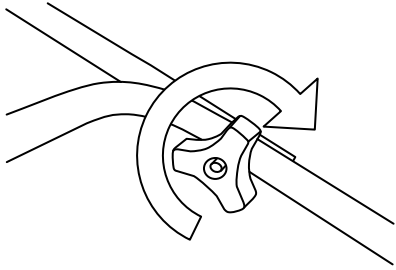


Fig. 1



Fig. 2

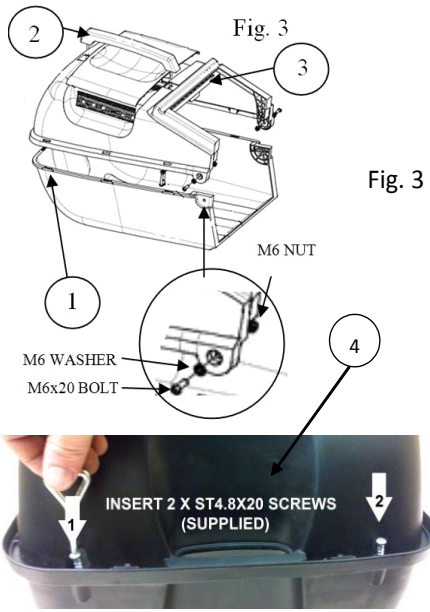


Fig. 3

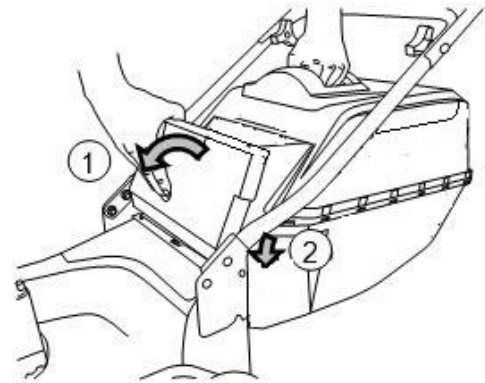


Fig. 4

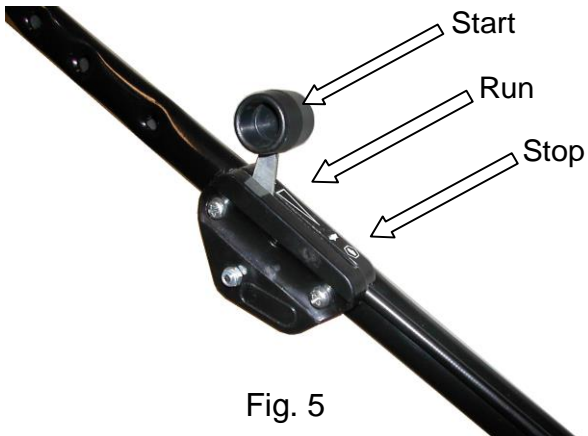
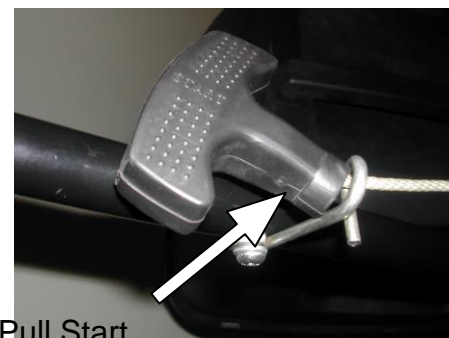


Fig. 5



Pull Start for starter cord

Fig. 6

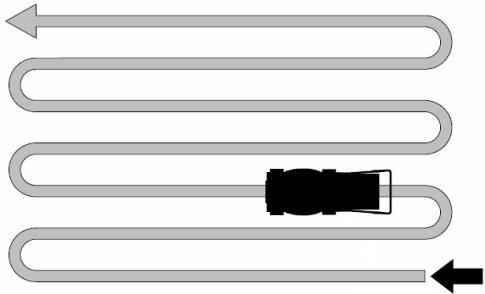


Fig. 7

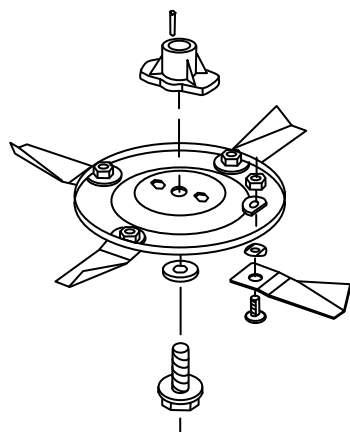


Fig. 8

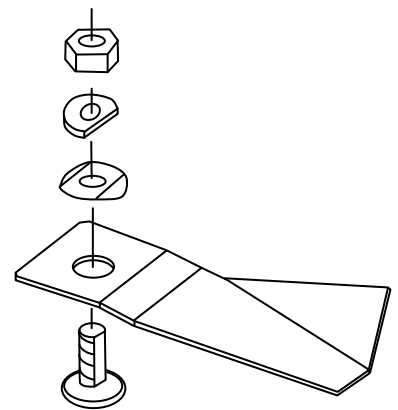


Fig. 9

FUELLING & OILING

Refer to the enclosed Engine Operating & Maintenance Instructions for details.

This product is equipped with a **4-stroke engine** which requires 500 ml of engine oil to be filled in the separate oil sump. Check engine oil level before starting engine. **Check the oil level with the oil dip stick unscrewed(Fig. 11).** Use SAE 30 engine oil (Complete service kit including oil available from stockist). Use clean, fresh regular lead-free petrol with a minimum of 87 Octane rating. Always refuel the lawnmower outside in a well ventilated environment. Do not smoke! Always stop the engine and allow it to cool for 2 minutes before refuelling. Do not light any flames while refuelling. Wipe off any fuel that may have spilled. Start the engine away from the place where it was refuelled. Ensure the tank cap is tightened properly.

OPERATING INSTRUCTIONS

STARTING AND STOPPING THE ENGINE

Refer to the enclosed Engine Operating & Maintenance Instructions for details.

1. Move the throttle control lever to the START position (Fig. 5).
2. Repeatedly press the primer bulb (Fig.11).
3. Pull the starter cord (Fig.6) sharply until the engine runs. Wait one or two seconds between repeated pulls as the engine is fitted with a time-delay safety ignition system.
4. Let the engine run for 10 seconds then set the throttle control lever to the RUN position (Fig.5).
5. To stop the engine move the throttle control lever to the STOP position and wait for the engine to stop (Fig.5).

MOWING PROCEDURES

The ideal time to mow your lawn is in the cooler late afternoon. The grass is dry and the sensitive new cut area is not exposed to direct sun.

Start mowing at the edge of the lawn and work your way away from it (Fig.7).

Cut your lawn at the same height most of the time. Adjust the cutting height (Fig.2 No.2) based on the weather. If your lawn is getting a lot of water you can cut a little closer. If the temperature is high and things are dry, allow the grass to grow a little longer so that the soil retains more moisture and the roots will penetrate deeper into the soil in search of this moisture.

Tall and thick grass should be cut in multiple passes with the mower set at different heights.

Best results are achieved with regular mowing. Do not let the grass grow too long between mowings and do not set the cutting height too low as this will scalp the lawn.

Avoid cutting wet grass as this is potentially dangerous and will block the discharge chute.

Ensure that the blades are sharp. A sharp blade makes a nice clean cut. A dull blade shatters the leaf and impairs the healthy growth of your lawn.

To improve the appearance of your lawn, alternate your cutting pattern.

CAUTION

Allow the motor to reach maximum RPM before cutting grass. Do not start the engine in tall grass.

Periodically clean the under side of the mower chassis with a brush. Built-up grass cuttings become corrosive when they decompose and will promote rust. Do not use water to clean. Wear gloves.

REPLACING THE CUTTING BLADES – Part No M-254-00 / 650120315

Disconnect the lead from the spark plug and turn the mower on its side. Hold the cutting blade disc firmly with one hand and loosen the centre bolt with the spanner provided by turning it in an anti-clockwise direction (Fig.8). Remove the bolt, spring washer, blade washer and blade disc. Loosen the cutting blade bolt by turning in an anti-clockwise direction and remove bolt, cutting blade and washers (Fig.9). Inspect and replace damaged or worn parts. Re-assemble in the reverse order and ensure all bolts and nuts are securely tightened. The cutting blades must be able to turn tightly on the disc.

ALWAYS REPLACE IN BLADES IN SETS TO PRESERVE BALANCE.

ENSURE BADE DISC AND BLADES ARE CORRECTLY ASSEMBLED TIGHTENED BEFORE USING.

CARE, MAINTAINANCE, STORAGE AND TRANSPORT

Refer to the enclosed Engine Operating & Maintenance Instructions for details.

Complete Service Kit including oil, spark plug and air filter available from stockist.

Oil level: Check every time before use. Replace the oil after the first 5 hours of use and then at 25 hourly intervals or every season. Note: Oil level on LSQ 6548 ML to be checked with dip stick unscrewed(Fig. 11).

Spark plug: Check every 12 months or if starting problems are experienced. When the engine is cold, remove the lead & cap (Fig.11) and unscrew the spark plug with a suitable spark plug socket. If the electrodes are excessively soiled or worn then replace with an equivalent new spark plug (e.g. F7RTC). Replace spark plug and screw in by hand to avoid stripping of thread, then tighten with socket.

Air filter: Clean air filter regularly. Unclip air filter cover (Fig.11) and remove Heppa filter. Tap filter several times on a hard surface dust and dirt.. Fit new filter if excessively dirty or damaged. Please refer to owner's manual for more information.

Transport and storage: If the lawnmower is unused for more than 2 months or being transported, then empty the fuel tank. Before storage allow the engine to cool. Store the unit indoors in a dry, ventilated and locked place, out of reach of children.

Check blades regularly. If damaged or worn replace with genuine Lawn Star replacement blades Part No. M-254-00 / 650120315. Always replace blades in sets to preserve balance.

Check the grass catcher bag regularly for damage and replace if necessary.

Store in a dry place out of reach of children and unauthorised persons.

THE USE OF THIS LAWNMOWER FOR COMMERCIAL OR RENTAL PURPOSES WILL INVALIDATE THE WARRANTY.

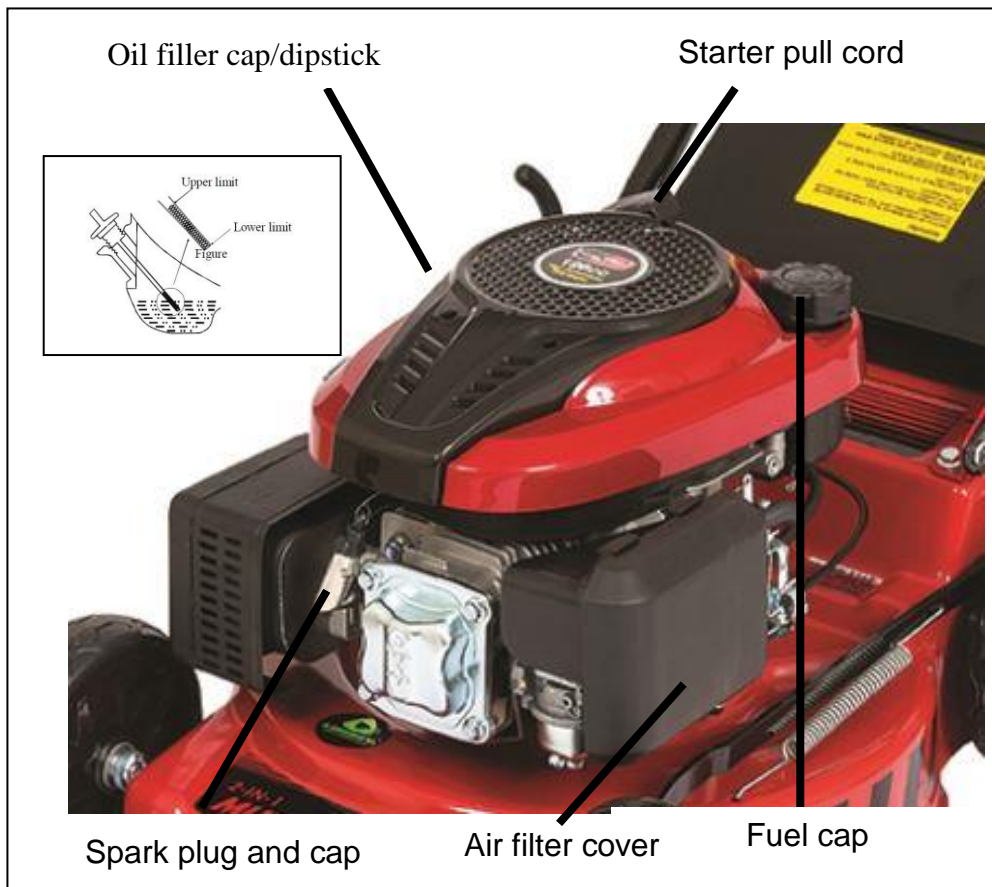


Fig. 11

TROUBLE SHOOTING GUIDE

PROBLEM	PROBABLE CAUSE	CORRECTIVE ACTION
Mower won't start	No fuel	Pump primer bulb, if no fuel flows then pipes blocked. Have serviced.
	Flooded engine	Move throttle lever to START position, pull starter cord until engine runs
	Throttle lever in STOP position	Move throttle lever to START position
	No spark	Ensure cap is attached to spark plug
	Blocked fuel filter	Have serviced
Engine overheats	Spark plug loose	Re-tighten spark plug and check connection to lead
	Dirty air filter	Remove, clean and replace
	Dirty cooling fins	Brush clean
Excessive vibration	Blades incorrectly assembled	Disconnect cap from spark plug and check assembly and fitment. Make sure blades are positioned facing outwards from the disc
	Blades damaged	Disconnect cap from spark plug and replace with new blades
	Blades clogged with dirt	Disconnect cap from spark plug, remove, clean and replace
Poor grass collection	Blades dull or damaged	Disconnect cap from spark plug and replace with new blades
	Mower clogged with dirt	Disconnect cap from spark plug, clean underside of chassis, fan and grass collection chute
	Grass catcher clogged with dirt	Disconnect cap from spark plug, clean grass collection box or replace if necessary

LAWN STAR (PTY) LTD

WARRANTY CARD

LSQ 5048 MP, LSQ 6548 MP & LSQ 6548 ML

Please read carefully

This card is required for warranty repair claims. Please fill in this card and keep it in a safe place, stapled to the original proof of purchase. The original proof of purchase (ie. receipt, invoice, docket, etc.) must show the original date of purchase and clearly identify the product.

WITHOUT THIS CARD AND ORIGINAL PROOF OF PURCHASE, ANY WARRANTY BECOMES NULL AND VOID.

Make:.....Serial No:.....Date of Purchase:.....
Model:.....

PURCHASER

NAME:
ADDRESS:
PHONE:

PURCHASED FROM

NAME:
ADDRESS:
PHONE:

LIMITED DOMESTIC USE WARRANTY

Lawn Star (Pty) Ltd. guarantees this unit to be free from defects in material and workmanship. If any such defect should become apparent during a period of

12 MONTHS

from the date of the original purchase, we undertake to repair this unit free of charge or replace this unit with a factory reconditioned unit at our discretion. This does not prejudice your rights in terms of the Consumer Protection Act.

Transport costs to our service centre and back to the owner, should such costs occur, will be carried by the owner of the unit.

The repaired or replaced unit will be covered by this warranty for the remainder of the original warranty period.

This warranty covers only the original purchaser of this unit.

This warranty becomes invalid if:

- the unit has been used commercially or for rental purposes;
- damage has been caused by misuse, abuse, accident or normal wear and tear;
- spares and accessories other than specified by us are used with this unit;
- the unit has been opened, altered or otherwise tampered with;
- the engine has been run without engine oil as per instruction

Lawnmower blades and grass collection box are wearing parts and are not covered by Warranty.

PLEASE READ AND UNDERSTAND THIS INSTRUCTION MANUAL TOGETHER WITH THE ENGINE OPERATING AND MAINTENANCE INSTRUCTIONS BEFORE YOU OPERATE THIS UNIT.

LAWN STAR (PTY) LTD.

For service and warranty repairs please contact your nearest Service Agent listed below:

CUSTOMER CARE : 0860-LAWNSTAR

**HEAD OFFICE : 98 Bofors Circle, Epping 2 South, Cape Town
PO Box 496, Parow, 7499**

Tel: 021-535-5249

Fax: 021-535-4624

EASTERN CAPE: Tel: 041-366-1300

Fax: 041-366-1300

FREE STATE : Tel: 082-556-6325

Fax: 086-691-6297

GAUTENG : Tel: 011-979-0162

Fax: 011-979-0174

KZN : Tel: 031-914-2750

Fax: 031-914-2750

WEST COAST : 082-826-0316

NORTHERN CAPE: 082-826-0316

OVERBERG : 084-609-7341

NAMIBIA : Tel: 061- 232-475

Fax: 061- 242-139

BOTSWANA : +267-318-6851

ZIMBABWE : +263-4-486 192/646

For more information visit: www.lawnstar.co.za