



ELECTRIC LAWNMOWER

OPERATING INSTRUCTIONS

MODELS: LSQ 2048 E
LSQ 2248 E
LSQ 2448 ME
LSQ 2848 ME
LSQ 3048 ME



M-850-47

Thank you for purchasing the Lawn Star Lawnmower which is one of the finest and most advanced lawnmowers today's technology can produce. Before you begin using it, please read this manual carefully and familiarise yourself with the control and the proper use of this product to ensure you get the best possible performance from it. The operator or user is responsible for accidents or hazards occurring to other people or their property.

SAFETY PRECAUTIONS

Inspect your lawnmower and its supply/extension cable before each operation. If any part is damaged or worn, repair or replace before operation. Do not operate with damaged, coiled or tangled supply/extension cable. Keep cable away from the cutting blades.

Use only genuine Lawn Star (Pty)Ltd. replacement parts when servicing or repairing the unit. These parts are available from your supplying dealer or service agent. Use only genuine Lawn Star replacement cutting blades Part No. M-254-00 / 650120315. Always replace blades in complete sets to preserve balance.

WARNING : To prevent electrical shock hazards, use only extension cables suitable for outdoor use with splash-proof socket outlets, preferably protected by a sensitive Residual Current Device (RCD) with tripping current of not more than 30 mA.

Pull the plug from the socket whenever you leave the machine unattended, before clearing a blockage, before checking, before cleaning or working on the appliance, before changing parts such as the blades, after striking a foreign object (inspect the appliance for damage and make repairs as necessary) or if the appliance starts to vibrate abnormally (check immediately).

The operator must wear protective clothing, long trousers and sturdy, non-slip footwear.

Do not operate the mower when barefoot or wearing open sandals.

Do not use your lawnmower for any jobs other than those for which it was intended.

Do not use unless the entire grass catcher is attached or the rear guard is in place.

Do not switch on mower unless all four wheels are resting squarely on the lawn being mowed. Do not tilt or lift mower while switched on. Switch off mower before pushing over surfaces other than grass.

Do not force your lawnmower. If motor labours, mow in multiple passes at different height settings.

Keep hands and feet well clear of rotating blades while the mower is in use. Cutting blades continue to rotate for a few seconds after switch-off. Never pick up or carry mower while the motor is running.

Inspect the area to be cut and remove all debris that could be entangled in the cutting blades. Also remove any solid objects, e.g. stones, sticks, wires and bones that the unit may sling during cutting.

Exercise extreme caution when mowing and changing direction. Always walk, never run. Never cut grass by pulling the mower towards yourself. Do not walk backwards while mowing, you may trip.

Avoid dangerous environments. Do not use the unit in poor light or in damp or wet locations. Do not use in the rain. Do not use on steep slopes, especially if damp. Work across slope faces, not up and down. Do not over-reach. Ensure good footing and balance are maintained.

Never operate the lawnmower when you are tired, ill or under the influence of alcohol or drugs.

Do not allow children or people unfamiliar with these instructions to use the lawnmower. Local regulations may restrict the age of the operator. Children, pets and onlookers should be kept at least 15 meters away from the work area, unless shielded by an effective solid barrier.

When not in use, store the unit indoors in a dry and locked place, out of reach of children.

PREPARATIONS FOR USE

Remove the lawnmower, handles, grass catcher and all other contents from the packaging. Remove the spanner, bolts and nuts supplied from the bag. Assemble the handles and tighten the knobs

(Fig.1). Attach the handle ends to the lawnmower chassis, insert the four bolts provided and tighten the nuts using the spanner (Fig.2 No.1). Note: ensure the nuts point outwards. Assemble the grass catcher

(Fig.3) by pressing the grass filter (Fig.3 No.3) into position and screwing the handle (Fig.3 No.2) on with the four 4.8 x 50 self-tapping screws and M5 washers provided. Fit the M6 bolt, washer and nut in

the two positions shown in (Fig.3 No.5.). Fold closed the two halves of the grass catcher (Fig.3 No.1) making sure that all the clips are fully aligned and clicked into position. Fit the 2 x ST 4.8X20 screws

to secure both rear halves of the grass catcher (Fig.3 No.4). Lift the rear guard flap (Fig.4 No.1) and attach the grass catcher (Fig.4 No.2) ensuring that the guard flap latches onto the grass catcher. Check

that all blade bolts, screws, knobs, nuts and blade disc bolt are securely tightened. Attach extension cord with suitable female coupler to the plug provided on the lawnmower. In turn connect to a suitable

mains connection plug. All components should meet your national, SANS, IEC or EN specifications.

Use 25m Lawn Star 2-core cable, min 2x1,0mm, 10.0 Amp rated for mowers rated up to 2200 watts.

Use 25m Lawn Star 2-core cable, min 2x1,5mm, 16.0 Amp rated for mowers rated up to 3000 watts.

THE USE OF THIS LAWNMOWER FOR COMMERCIAL OR RENTAL PURPOSES WILL INVALIDATE THE WARRANTY.



Fig. 1

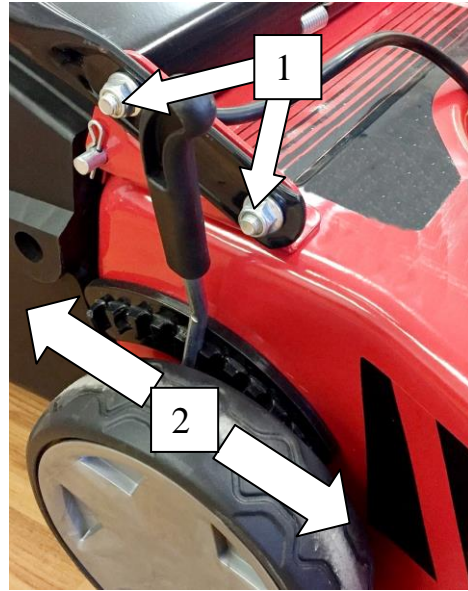


Fig. 2

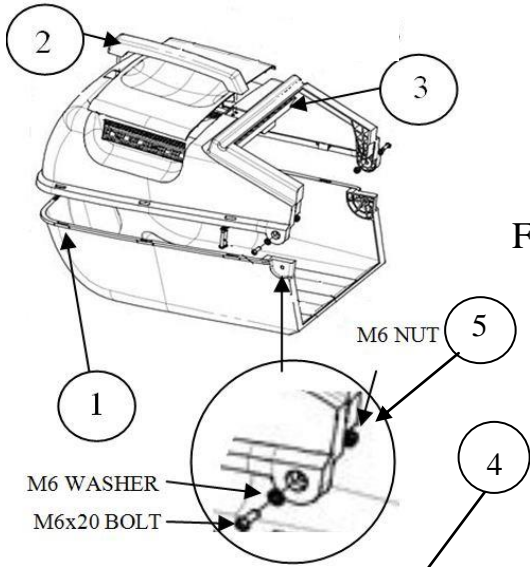


Fig. 3

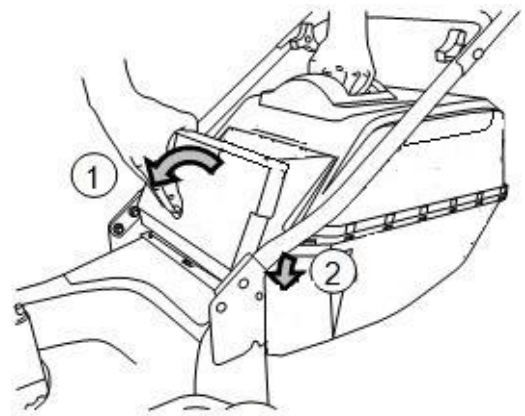
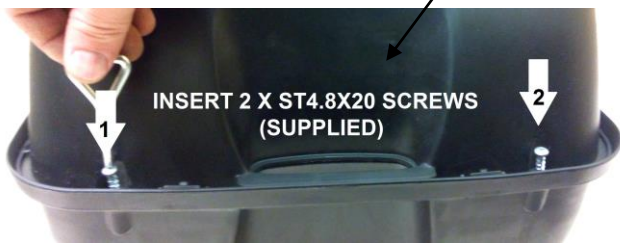


Fig. 4

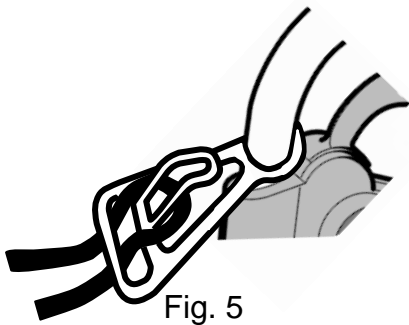


Fig. 5

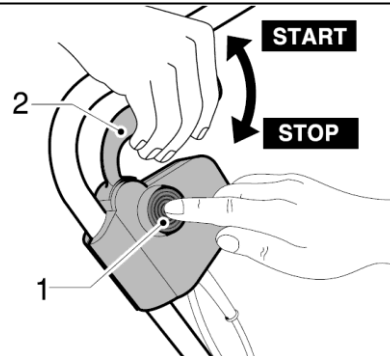


Fig. 6

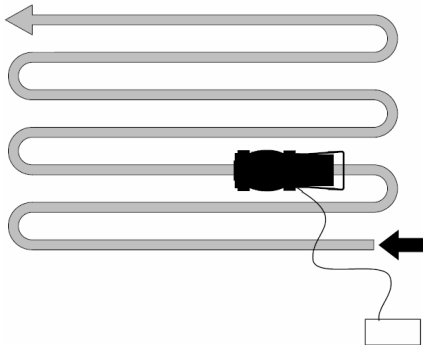


Fig. 7

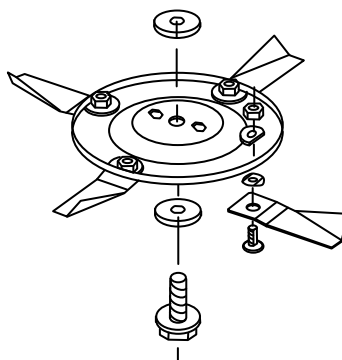


Fig. 8

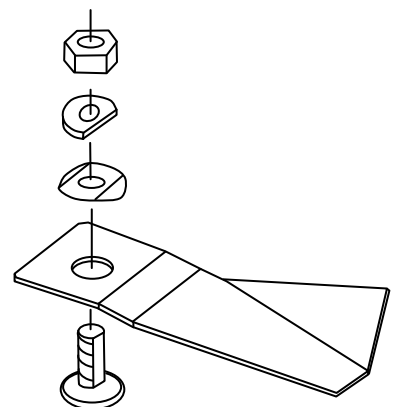


Fig. 9

CARE, MAINTAINANCE, STORAGE AND TRANSPORT

Do not oil – this is unnecessary.

Keep air intake vents, in plastic motor housing, free of grass cuttings and dirt to ensure unobstructed cooling air-flow through the motor. Clogged-up air intake vents cause the motor to overheat and can result in failure.

Keep all nuts, bolts and screws tightened to ensure that the appliance is in a safe working condition. Replace worn or damaged parts for safety.

Check blades regularly. If damaged or worn replace with genuine Lawn Star replacement blades Part No. M-254-00 / 650120315. Always replace blades in sets to preserve balance.

Check the grass catcher box regularly for damage and replace if necessary.

Store in a dry place out of reach of children and unauthorised persons.

OPERATING INSTRUCTIONS

Attach extension cord with suitable female coupler to the plug provided on the lawnmower. Insert a loop of the extension cord into the strain-relief mechanism provided on the handle (Fig.5) to prevent accidental detachment of plug. Press and hold the safety lock-off button on the switch with a left hand finger (Fig.6 No.1), and then grip the switch lever with your right hand and pull it towards the handle (Fig.6 No.2). Continue to grip the lever and release the button and begin to mow your lawn. To stop the motor simply release the switch lever. Do not use the switch lever intermittently. This will damage it.

MOWING PROCEDURES

The ideal time to mow your lawn is in the cooler late afternoon. The grass is dry and the sensitive new cut area is not exposed to direct sun.

Start mowing at the edge of the lawn closest to the plug point and work your way away from the plug (Fig.7). This will lay-out the cable on the lawn you have already cut and will keep it out of your way.

Cut your lawn at the same height most of the time. Adjust the cutting height (Fig.2 No.2) based on the weather. If your lawn is getting a lot of water you can cut a little closer. If the temperature is high and things are dry, allow the grass to grow a little longer so that the soil retains more moisture and the roots will penetrate deeper into the soil in search of this moisture.

Tall and thick grass should be cut in multiple passes with the mower set at different heights.

Best results are achieved with regular mowing. Do not let the grass grow too long between mowings and do not set the cutting height too low as this will scalp the lawn.

Avoid cutting wet grass as this is potentially dangerous and will block the discharge chute.

Ensure that the blades are sharp. A sharp blade makes a nice clean cut. A dull blade shatters the leaf and impairs the healthy growth of your lawn.

To improve the appearance of your lawn, alternate your cutting pattern.

CAUTION

Avoid excessive intermittent switch operation during mowing as this will damage the switch.

Allow the motor to reach maximum RPM before cutting grass. Starting the motor in tall grass will overload it and will trip your circuit breaker.

Periodically clean the under side of the mower chassis with a brush. Built-up grass cuttings become corrosive when they decompose and will promote rust. Do not use water to clean. Wear gloves.

The lawnmower motor is fitted with a thermal cut-out switch which switches off the motor if it overheats due to overloading. In the event that this happens, switch off the mower, disconnect the power supply and allow the motor to cool for approx 20 minutes.

REPLACING THE CUTTING BLADES

Disconnect the lawnmower from the power supply and turn it on its side. Hold the cutting blade disc firmly with one hand and loosen the centre bolt with the spanner provided, by turning it in an anti-clockwise direction (Fig.8). Remove the bolt, blade disc and friction washers. Loosen the cutting blade bolt by turning in an anti-clockwise direction and remove bolt, cutting blade and washers (Fig.9).

Inspect and replace damaged or worn parts. Re-assemble in the reverse order and ensure all bolts and nuts are securely tightened. The cutting blades must be able to turn tightly on the disc.

ENSURE BADE DISC AND BLADES ARE CORRECTLY ASSEMBLED TIGHTENED BEFORE USING.

TROUBLE SHOOTING GUIDE

PROBLEM	PROBABLE CAUSE	CORRECTIVE ACTION
Mower won't start	Not connected to power supply	Connect to power supply and switch on. Check that circuit breaker is switched on
	Damaged supply cable	Unplug and remove extension cable, inspect and replace if damaged.
	Damaged mower cord	Unplug and check mower cord for damage, check connection to switch. If damaged have repaired by an authorised Lawn Star service agent
	Thermal overload cut-out switch activated	Disconnect from power supply and allow motor to cool for approx 20 minutes
Excessive vibration	Blades incorrectly assembled	Disconnect from power supply and check assembly and fitment. Make sure blades are positioned facing outwards from the disc
	Blades damaged	Disconnect from power supply and replace with new blades
	Blades clogged with dirt	Disconnect from power supply, remove, clean and replace
Poor grass collection	Blades dull or damaged	Disconnect from power supply and replace with new blades
	Mower clogged with dirt	Disconnect from power supply, clean underside of chassis, fan and grass collection chute
	Grass catcher clogged with dirt	Disconnect from power supply, clean grass collection box or replace if necessary

LAWN STAR (PTY) LTD

WARRANTY CARD

LSQ 2048 E, LSQ 2248 E, LSQ 2848 ME & LSQ 3048 ME

Please read carefully

This card is required for warranty repair claims. Please fill in this card and keep it in a safe place, stapled to the original proof of purchase. The original proof of purchase (i.e. receipt, invoice, docket, etc.) must show the original date of purchase and clearly identify the product.

WITHOUT THIS CARD AND ORIGINAL PROOF OF PURCHASE, ANY WARRANTY BECOMES NULL AND VOID.

Make:.....Serial No:.....Date of Purchase:.....
Model:.....

PURCHASER

NAME:
ADDRESS:
PHONE:

PURCHASED FROM

NAME:
ADDRESS:
PHONE:

LIMITED DOMESTIC USE WARRANTY

Lawn Star (Pty) Ltd. guarantees this unit to be free from defects in material and workmanship. If any such defect should become apparent during a period of

24 MONTHS

from the date of the original purchase, we undertake to repair this unit free of charge or replace this unit with a factory reconditioned unit at our discretion. This does not prejudice your rights in terms of the Consumer Protection Act.

Transport costs to our service centre and back to the owner, should such costs occur, will be carried by the owner of the unit.

The repaired or replaced unit will be covered by this warranty for the remainder of the original warranty period.

This warranty covers only the original purchaser of this unit.

This warranty becomes invalid if:

- the unit has been used commercially or for rental purposes;
- damage has been caused by misuse, abuse, accident or normal wear and tear;
- spares and accessories other than specified by us are used with this unit;
- the unit has been opened, altered or otherwise tampered with;

Lawnmower blades and grass collection box are wearing parts and are not covered by Warranty.

PLEASE READ AND UNDERSTAND THE INSTRUCTION MANUAL BEFORE YOU OPERATE THIS UNIT.

LAWN STAR (PTY) LTD.

For service and warranty repairs please contact your nearest Service Agent listed below:

CUSTOMER CARE : 0860-LAWNSTAR

HEAD OFFICE : 98 Bofors Circle, Epping 2 South, Cape Town
PO Box 496, Parow, 7499

Tel: 021-535-5249

Fax: 021-535-4624

EASTERN CAPE: Tel: 041-365-6600

Fax: 041-365-6661

FREE STATE : Tel: 082-556-6325

Fax: 086-691-6297

GAUTENG : Tel: 011-979-0162

Fax: 011-979-0174

KZN : Tel: 031-914-2750

Fax: 031-914-2752

WEST COAST : 082-826-0316

NORTHERN CAPE: 082-826-0316

OVERBERG : 084-609-7341

NAMIBIA : Tel: 061- 232-475

Fax: 061- 242-139

BOTSWANA : +267-318-6851

ZIMBABWE : +263-4-486 192/646

For more information visit: www.lawnstar.co.za