



# **ELECTRIC HEDGE TRIMMER**

## **OPERATING INSTRUCTIONS**



**MODEL: LSH 550**

Thank you for purchasing the Lawn Star Hedge Trimmer which is one of the finest and most advanced hedge trimmers today's technology can produce. Before you begin using it, please read this manual carefully and familiarise yourself with the control and the proper use of this product to ensure you get the best possible performance from it.

### **SAFETY PRECAUTIONS**

- Inspect your hedge trimmer and its supply/extension cable before each operation. If any part is damaged or worn, repair or replace before operation. Do not operate with damaged or tangled supply/extension cable. Keep cable away from cutting blades.
- Use only genuine Lawn Star (Pty) Ltd. replacement parts when servicing or repairing the unit. These parts are available from your supplying dealer or service agent.
- **WARNING** : To prevent electrical shock hazards, use only extension cables suitable for outdoor use, with splash-proof socket outlets, preferably protected by sensitive Residual Current Device (RCD) with tripping current of not more than 30 mA.
- Disconnect the unit from the power supply when unattended or not in use.
- Disconnect the unit from the power supply for cleaning, blade oiling or when the blades are blocked or any object is to be removed from the blades.
- Check regularly that all screws are properly secured. Check the cutting blades regularly and if they are damaged have them repaired or replaced by an authorised service agent or dealer.
- **It is essential that the operator wears safety goggles, protective clothing and sturdy, non-slip footwear.**
- **Make sure the safety shield is always mounted when using the hedge trimmer. Never remove any of its components and never use a damaged or incomplete machine. Never modify any of the machine components.**
- Do not use your hedge trimmer for any jobs other than those for which it was intended. Do not force your trimmer. If motor labours, pull away from hedge, bushes and shrubs.
- Use care in picking up or holding the unit. Do not grasp the cutting blades or carry the hedge trimmer by taking hold of the blades.
- Hold the hedge trimmer firmly with both hands during operation.
- Avoid unintentional starting. Do not carry a plugged-in unit with your fingers on the switch. Inspect the area to be cut and remove all debris that could be entangled in the cutting blades.
- Avoid dangerous environments. Do not use the unit in poor light or in damp or wet locations. Do not use in the rain. Do not use on steep slopes, especially if damp. Work across slope faces, not up and down. Do not over-reach. Ensure good footing and balance are maintained.
- Keep hands and feet clear of the cutting blades while unit is in use. Cutting blades continue to reciprocate for 0.5 seconds after switch-off.
- Do not allow children under 16, nor anyone who is not familiar with these instructions to use the hedge trimmer. Children, pets and onlookers should be kept at least 15 meters away from the work area, unless shielded by an effective solid barrier.
- When not in use, store the unit indoors in a dry and locked place, out of reach of children.

### **PREPARATIONS FOR USE**

- Remove the safety blade cover by sliding it off the blade (Fig.2)
- Make a loop in the extension cord and hook into the strain relief mechanism (Fig.3)
- Connect the plug provided with the hedge trimmer to a suitable female socket on an extension cord not more than 40 meters of length. Use 2-core insulated cable, minimum (HO5VV-F) 2x1,0mm , in turn connected to a suitable mains connection plug. All components should meet your national, IEC or EN specifications.

**THE USE OF THIS TRIMMER FOR COMMERCIAL OR RENTAL PURPOSES WILL INVALIDATE THE WARRANTY.**

**Key:**

- 1. Safety blade cover
- 2. Blade
- 3. Hand safety shield
- 4. Front handle with ON / OFF switch
- 5. Rear handle with ON / OFF switch
- 6. Strain relief mechanism
- 7. Power supply cable

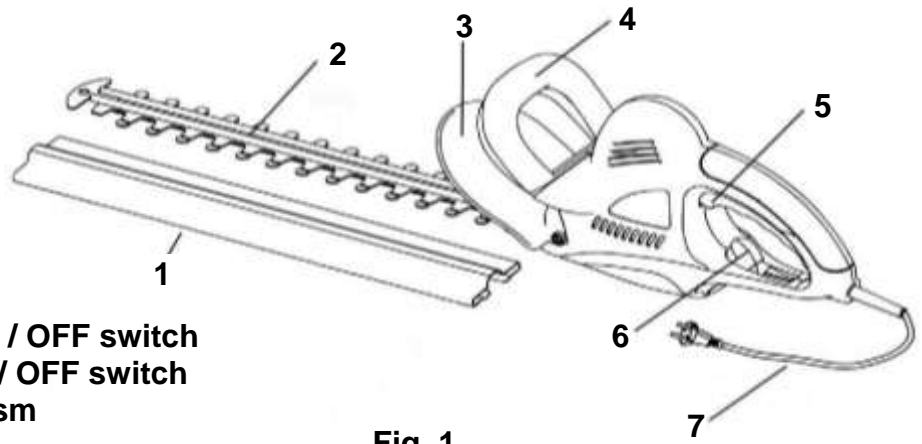


Fig. 1



Fig. 3

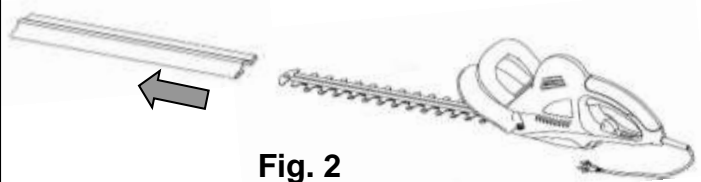


Fig. 2

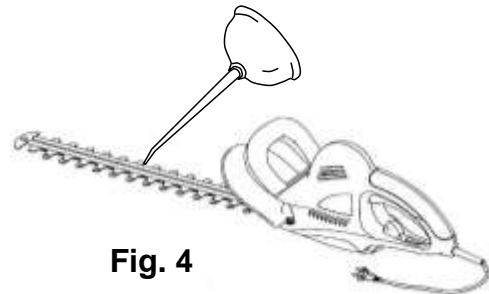


Fig. 4

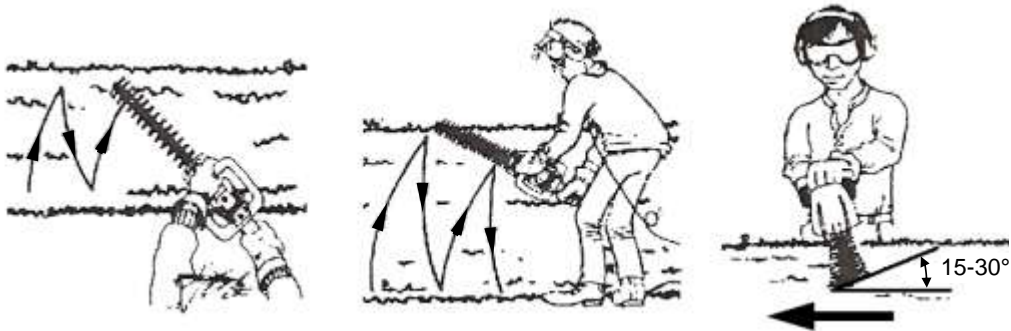


Fig. 5

**Warning Symbols**



Attention! Observe the following safety warnings



Do not operate in rain



Read operating instructions



Keep hands away from blades



Wear eye protection



Disconnect from mains power immediately if the power cord becomes damaged

## **CARE AND MAINTAINANCE**

- Before carrying out any care and maintenance operations, disconnect the hedge trimmer from the electric power supply.
- Check the machine regularly before starting to use it.
- Damaged cutting blades must be repaired or changed by qualified service agents.
- After each use, clean the cutting blades with a dry cloth or, in the case of larger dirt, with a brush. Apply a thin layer of protective oil on the complete blade (Fig.4).
- Keep air intake vents, in plastic housing above motor, free of grass cuttings and dirt to ensure unobstructed cooling air-flow through the motor. Clogged-up air intake vents cause the motor to overheat and can result in failure.
- Never clean or spray the hedge trimmer with water. Clean the motor housing only with a moist cloth and never apply detergents or solvents which could ruin the plastic parts of the machine.

## **OPERATING INSTRUCTIONS**

Attach extension cord with suitable female coupler to the plug provided on the hedge trimmer. Insert a loop of the extension cord into the strain-relief mechanism provided in the underside of the handle (Fig.3) to prevent accidental detachment of plug.

- Caution! Before turning on the switch, take the blade cover off (Fig.2).

### **STARTING/STOPPING THE MACHINE**

- Press the ON/OFF switch (Fig.1 No.4) of the front handle and the switch of the rear handle (Fig.1 No.5) with both hands at the same time.
- Turn off the hedge trimmer by releasing any one of the switches.

### **CUTTING HEDGES**

- Before starting, select branches to cut with a diameter of less than 16 mm. branches that are too thick for the hedge trimmer should be cut with a saw or other appropriate implement.
- First cut the sides of the hedge then cut the upper part of the hedge in the shape you prefer.
- See Figure 5 for recommended cutting movements.
- To achieve an even height, fix a guide line at the required height and cut evenly over the line.
- If the blades are jammed or blocked by obstacles, switch the motor off immediately, pull the plug out, and then remove the object jamming the blades.
- CAUTION: Metal objects like fences etc. may damage the cutting blades
- Always make sure to keep the extension cord behind you when cutting. Plan your working direction before starting to cut.

### **STORING THE HEDGE TRIMMER AFTER USE**

- The hedge trimmer must be stored such that there is no danger of injuries being caused to persons by the cutting blades
- The cutting blades should be cleaned after each use (see CARE AND MAINTENANCE). This will considerably increase the service life of the device.
- Store the hedge trimmer with the supplied safety blade cover.

### **REPAIR AND SERVICE**

- Repairs and servicing must only be performed by authorised dealers and service agents.

## **CAUTION**

- Avoid excessive intermittent switch operation during trimming as this will reduce motor life.
- Allow motor to reach maximum RPM before trimming.
- Do not force the hedge trimmer into the work.
- Never cut during wet or very damp conditions.

# LAWN STAR ( PTY ) LTD.

## WARRANTY CARD

LSH 550

Please read carefully

This card is required for warranty repair claims. Please fill in this card and keep it in a safe place, stapled to the original proof of purchase. The original proof of purchase (i.e. receipt, invoice, docket, etc.) must show the original date of purchase and clearly identify the product.

**WITHOUT THIS CARD AND ORIGINAL PROOF OF PURCHASE, ANY WARRANTY BECOMES NULL AND VOID.**

Make:.....Serial No:.....Date of Purchase:.....  
Model:.....

PURCHASER

NAME:  
ADDRESS:  
PHONE :

PURCHASED FROM

NAME :  
ADDRESS:  
PHONE:

### LIMITED DOMESTIC USE WARRANTY

Lawn Star (Pty) Ltd. guarantees this unit to be free from defects in material and workmanship. If any such defect should become apparent during a period of

#### 12 MONTHS

from the date of the original purchase, we undertake to repair this unit free of charge or replace this unit with a factory reconditioned unit at our discretion. This does not prejudice your rights in terms of the Consumer Protection Act.

Transport costs to our service centre and back to the owner, should such costs occur, will be carried by the owner of the unit.

The repaired or replaced unit will be covered by this warranty for the remainder of the original warranty period.

This warranty covers only the original purchaser of this unit.

**This warranty becomes invalid if:**

- **the unit has been used commercially or for rental purposes;**
- **damage has been caused by misuse, abuse, accident or normal wear and tear;**
- **spares and accessories other than specified by Lawn Star are used with this unit;**
- **the unit has been opened, altered or otherwise tampered with;**

**Cutting blades are wearing parts and are not covered by Warranty.**

**PLEASE READ AND UNDERSTAND THE INSTRUCTION MANUAL BEFORE YOU OPERATE THIS UNIT.**

# **LAWN STAR ( PTY ) LTD.**

For service and warranty repairs please contact your nearest Service Agent listed below:

**CUSTOMER CARE : 0860-LAWNSTAR**

**HEAD OFFICE :** 98 Bofors Circle, Epping 2 South, Cape Town  
PO Box 496, Parow, 7499

Tel: 021-535-5249

Fax: 021-535-4624

**EASTERN CAPE:** Tel: 041-365-6600

Fax: 041-365-6661

**FREE STATE :** Tel: 082-556-6325

Fax: 086-691-6297

**GAUTENG :** Tel: 011-979-0162

Fax: 011-979-0174

**KZN :** Tel: 031-579-4390

Fax: 031-579-4400

**WEST COAST :** 082-826-0316

**NORTHERN CAPE:** 082-826-0316

**OVERBERG :** 084-609-7341

**NAMIBIA :** Tel: 061- 232-475

Fax: 061- 242-139

**BOTSWANA :** +267-318-6851

**ZIMBABWE :** +263-4-486 192/646

For more information visit: [www.lawnstar.co.za](http://www.lawnstar.co.za)