



CYLINDER PUSH MOWER
OPERATING INSTRUCTIONS



MODEL LSCM 38-5

Thank you for purchasing the Lawn Star cylinder push mower which is one of the finest push cylinder mowers today's technology can produce. Before you begin using it, please read this manual carefully and familiarise yourself with the control and proper use of this product to ensure you get the best possible performance from it.

SAFETY PRECAUTIONS

- Never use the mower while people, especially children or pets, are nearby.
- Always walk never run.
- Do not operate the mower when barefoot or wearing open sandals.
- Thoroughly inspect the area where the mower is to be used and remove all objects, which may be thrown by the machine.
- Always be sure of your footing on slopes. Do not mow excessively steep slopes.
- Keep all nuts, bolts and screws tightened. Always ensure that the equipment is in a safe working condition.
- Replace worn or damaged parts immediately.
- Keep hands and feet clear of the rotating blades.
- Use caution when adjusting the blades.

PREPARATION FOR USE

Carefully remove the machine from packaging and check that you have all the following items:

- Lawnmower
- Bottom handle
- Top handle
- 2 Handle Centres
- 6 Nuts
- 6 Bolts
- Operating instructions

Should any parts be missing or damaged, please contact the consumer care hotline on 0860-LAWNSTAR (0860 52967827) for assistance. We also have a network of Approved Lawn Star Service Agents who you can contact for service and advice.

Assembly

A Attach bottom handle **1** to the mower.

B Assemble the top handle **2** to the handle centres **3**, and fit to handle bottom **1**.

E Attach grass catcher hooks **9** to mower and fit grass catcher **10** (grass catcher not supplied as standard but can be purchased as an optional extra from any Lawn Star dealer)

ADJUSTING THE CUTTING HEIGHT (FIGURE C)

Loosen the knobs on either side of the roller and adjust both sides equally, in the direction of the arrow, to obtain the desired cutting height. Tighten the knobs.

MOWING (FIGURE F)

For best results, place the lawnmower on the edge of the lawn and mow in the forward direction. Then turn at the end of each turn and mow in the opposite direction, slightly over-lapping the previously cut strip.

MAINTENANCE

To ensure long and reliable service, carry out the following maintenance regularly:

Regularly check for obvious defects such as loose, dislodged or damaged blades, loose fittings and worn or damaged components. Check that covers and guards are undamaged and correctly fitted. Carry out necessary maintenance or repairs before using.

All repair work should be carried out by an authorised Lawn Star service agent.

ADJUSTING THE BLADE (FIGURE C)

The cutting blade **8** should be adjusted if the grass is not cut cleanly and evenly. Insert a piece of paper between the cylinder **6** and the fixed blade **8**. Turn both adjuster nuts **7** clockwise a little at a time until the cutting cylinder **6** cuts the paper evenly across the whole blade length **8**.

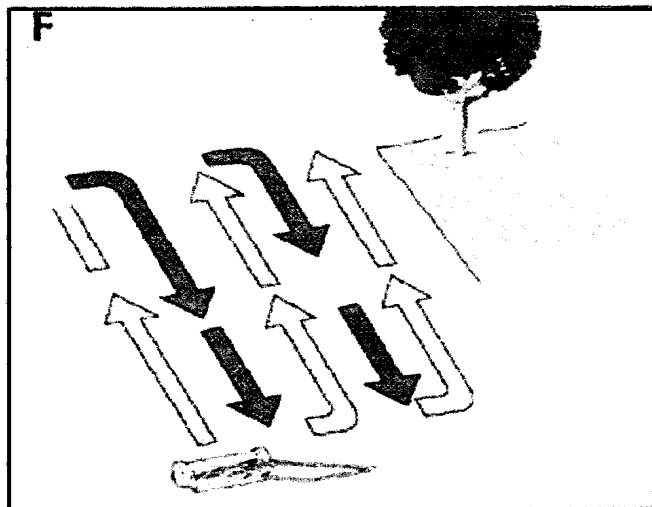
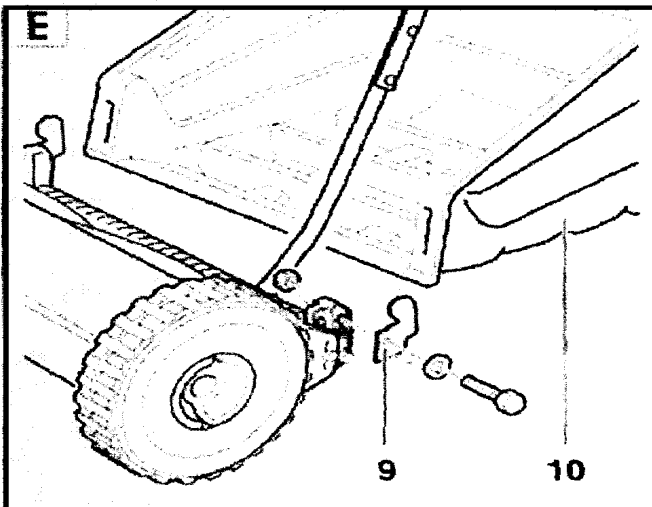
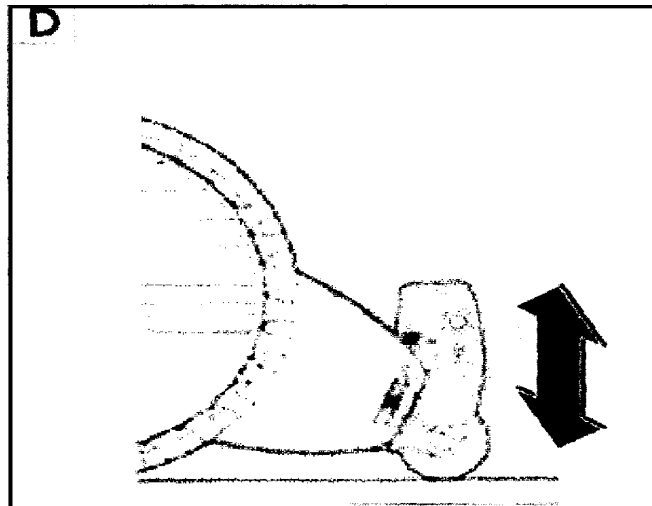
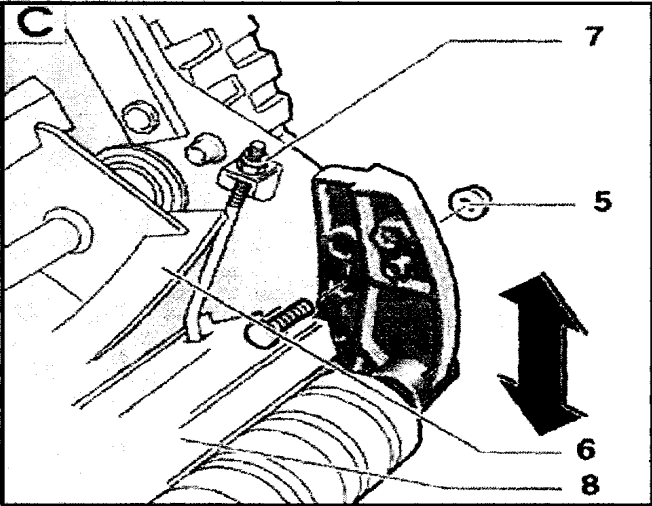
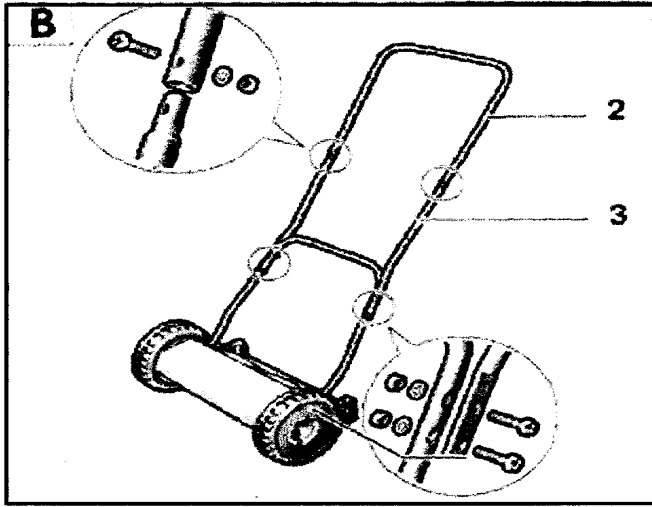
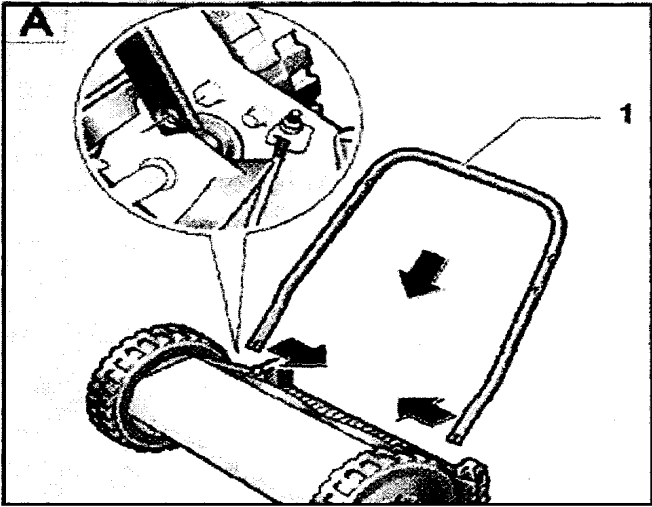
Note: The blades act like a pair of shears.

STORAGE

Clean the exterior of the machine thoroughly using a soft brush and cloth. Do not use water, solvents or polish. Remove all grass and debris.

Turn the machine on its side and clean the blade area. If grass cuttings are compacted in the blade area, remove with a wooden or plastic implement.

Store the lawnmower in a safe and dry place out of the reach of children. Do not place other objects on top of the machine.



LAWN STAR (PTY) LTD.

WARRANTY CARD

LSCM 38-5

Please read carefully

This card is required for warranty repair claims. Please fill in this card and keep it in a safe place, stapled to the original proof of purchase. The original proof of purchase (i.e. receipt, invoice, docket, etc.) must show the original date of purchase and clearly identify the product.

WITHOUT THIS CARD AND ORIGINAL PROOF OF PURCHASE , ANY WARRANTY BECOMES NULL AND VOID .

Make :.....Serial No:.....Date of Purchase:.....
Model :.....

PURCHASER:

NAME:

ADDRESS:

PHONE :

PURCHASED FROM

NAME :

ADDRESS:

PHONE:

LIMITED DOMESTIC USE WARRANTY

Lawn Star (Pty) Ltd. guarantees this unit to be free from defects in material and workmanship. If any such defect should become apparent during a period of

12 MONTHS

from the date of the original purchase, we undertake to repair this unit free of charge or replace this unit with a factory reconditioned unit at our discretion. This does not prejudice your rights in terms of the Consumer Protection Act.

Transport costs to our service centre and back to the owner, should such costs occur, will be carried by the owner of the unit.

The repaired or replaced unit will be covered by this warranty for the remainder of the original warranty period.

This warranty covers only the original purchaser of this unit.

This warranty becomes invalid if :

- the unit has been used commercially or for rental purposes;
- damage has been caused by misuse, abuse, accident or normal wear and tear;
- spares and accessories other than specified by us are used with this unit;
- the unit has been opened, altered or otherwise tampered with;

Paint damage due to normal wear and wearing parts are not covered by Warranty.

PLEASE READ AND UNDERSTAND THIS INSTRUCTION MANUAL BEFORE YOU OPERATE THIS UNIT.

LAWN STAR (PTY) LTD.

For service and warranty repairs please contact your nearest Service Agent listed below:

CUSTOMER CARE : 0860-LAWNSTAR

**HEAD OFFICE : 98 Bofors Circle, Epping 2 South, Cape Town
PO Box 496, Parow, 7499**

Tel: 021-535-5249 Fax: 021-535-4624

EASTERN CAPE: Tel: 041-365-6600 Fax: 041-365-6661

FREE STATE : Tel: 082-556-6325 Fax: 086-691-6297

GAUTENG : Tel: 011-979-0162 Fax: 011-979-0174

KZN : Tel: 031-579-4390 Fax: 031-579-4400

WEST COAST : 082-826-0316

NORTHERN CAPE: 082-826-0316

OVERBERG : 084-609-7341

NAMIBIA : Tel: 061- 232-475 Fax: 061- 242-139

BOTSWANA : +267-318-6851

ZIMBABWE : +263-4-486 192/646

For more information visit: www.lawnstar.co.za