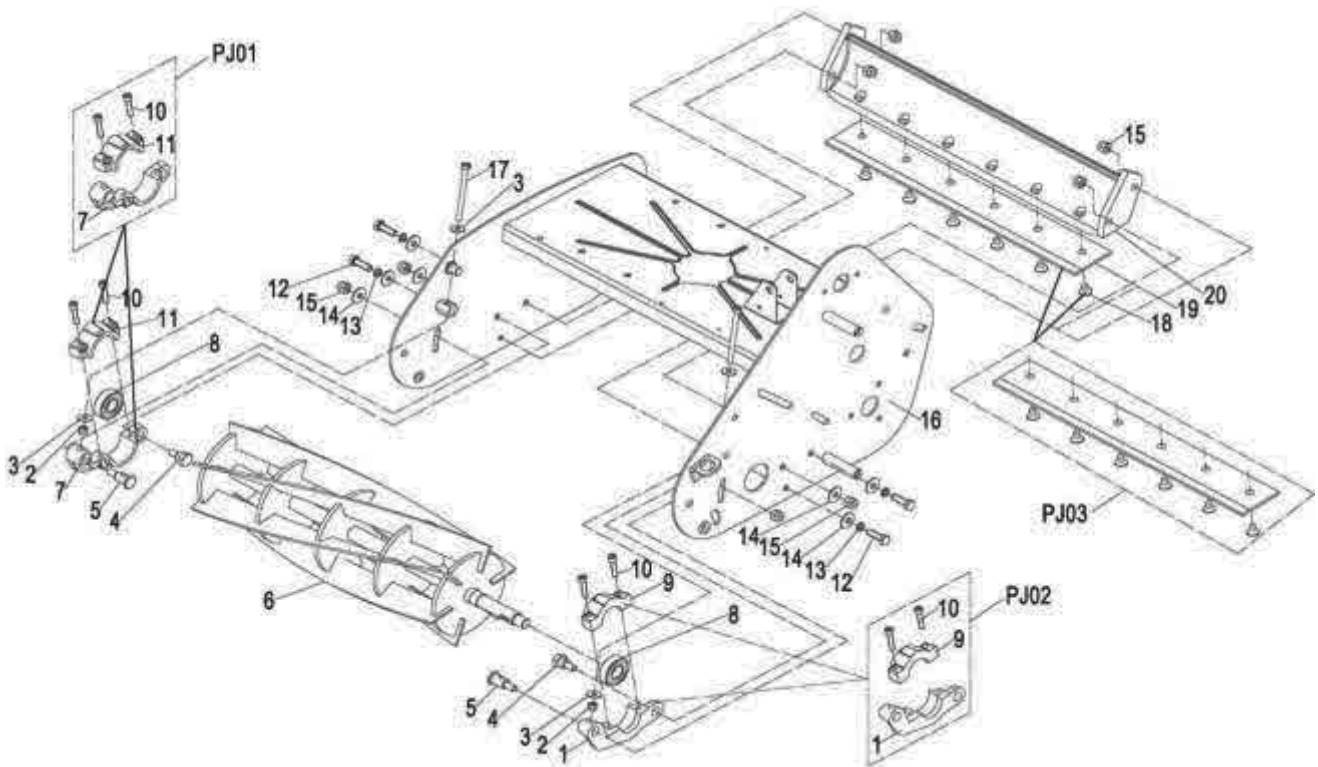


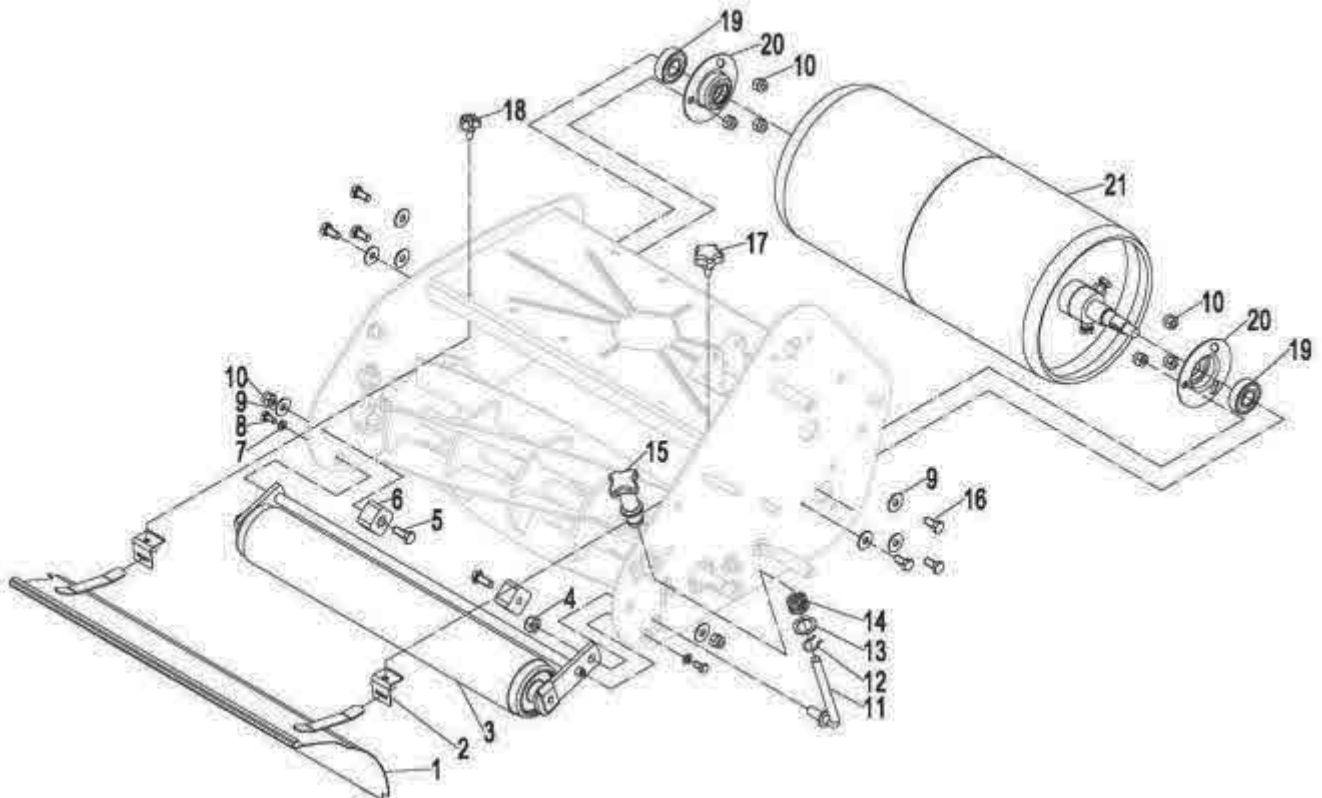
SPARE PARTS LIST: LSCM 1943 6L CYLINDER MOWER

DWG NO.	PART NO.	DESCRIPTION	QTY PER
1	Refer to 22	housing bearing Cylinder blade(lower left)	1
2		Lock nut M6	2
3		Big washer 6	4
4	G-430-04	Cylinder blade Bolt	<u>2</u>
5	G-430-05	Cylinder blade Bolt (with hole)	2
6	G-430-06	Cylinder blade (17")	1
7	Refer to 21	housing bearing Cylinder blade(lower right)	1
8	G-430-08	Bearing 6203Z	2
9	Refer to 22	housing bearing Cylinder blade(upper left)	1
10	Refer to 21/22	screw M6×30	4
11	Refer to 21	housing bearing Cylinder blade(upper right)	1
12		Bolt M8×30	4
13		Washer spring 8	4
14		Washer flat 8	7
15		Lock nut M8	8
16	G-430-16	Mower frame (17")	1
17	G-430-17	screw M6×80-L	2
18	Refer to 23	screw M8×12	6
19	Refer to 23	Bottom blade (17")	1
20	G-430-20	Bottom blade holder (17")	1
21	GA-430-21	housing bearing Cylinder blade assembly (Right)	1
22	GA-430-22	housing bearing Cylinder blade assembly (left)	1
23	GA-430-23	Bottom blade assembly (17")	1



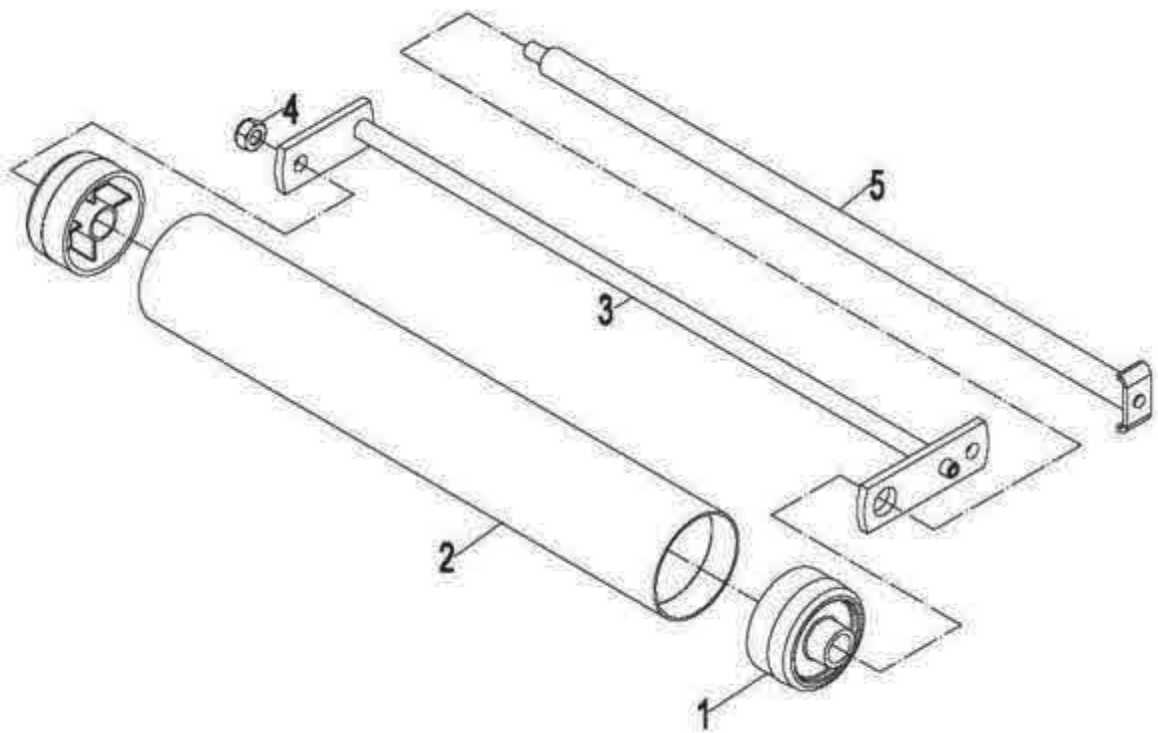
SPARE PARTS LIST: LSCM 1943 6L CYLINDER MOWER

DWG NO.	PART NO.	DESCRIPTION	QTY PER
1	G-430-24	Deflector (17")	1
2	G-430-25	Fixed plate	2
3	G-430-26	Front roller assembly (17")	1
4		Lock nut M10 SS	1
5		Bolt M8×25	2
6	G-430-29	Catcher support	2
7		Big washer6	2
8		Bolt M6×12	2
9		Washer flat 8	8
10		Lock nut M8	8
11	G-430-34	Height Rod	1
12	G-430-35	Circlip	1
13	G-430-36	Washer	1
14	G-430-37	Compression spring	1
15	G-430-38	Hand Knob	1
16		Bolt M8×16	6
17	G-430-40	Fixed plate bolt(big)	1
18	G-430-41	Fixed plate bolt(small)	1
19	G-430-08	Bearing 6203Z	2
20	G-430-43	Housing bearing back roller	2
21	G-430-44	Back roller assembly (17")	1



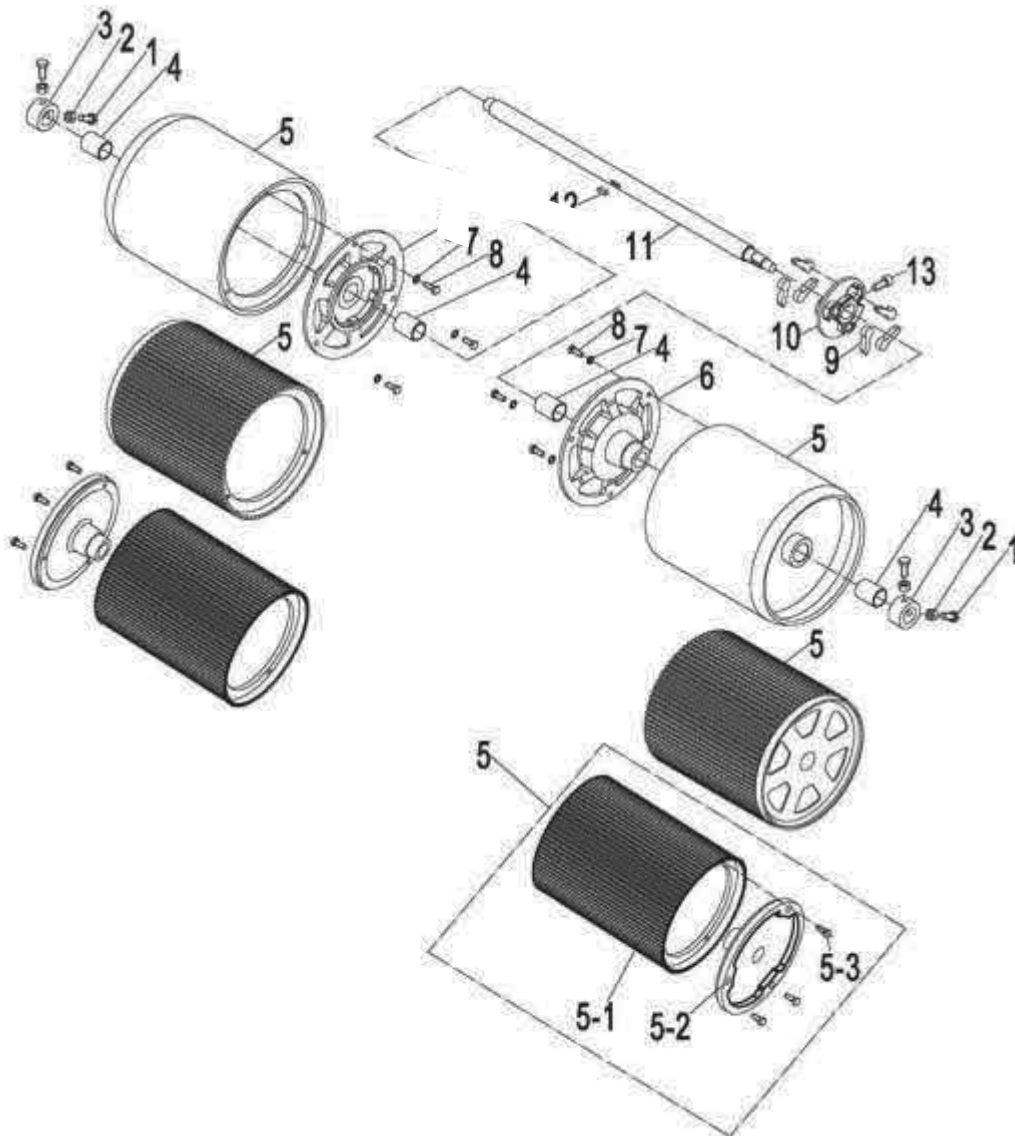
SPARE PARTS LIST: LSCM 1943 6L CYLINDER MOWER

DWG NO.	PART NO.	DESCRIPTION	QTY PER
1	G-430-45	End Cap	2
2	G-430-46	Front roller (17")	1
3	G-430-47	Front Roller Mounting (17")	1
4		Lock nut M10	<u>1</u>
5	G-430-49	Mounting Bracket (17")	1



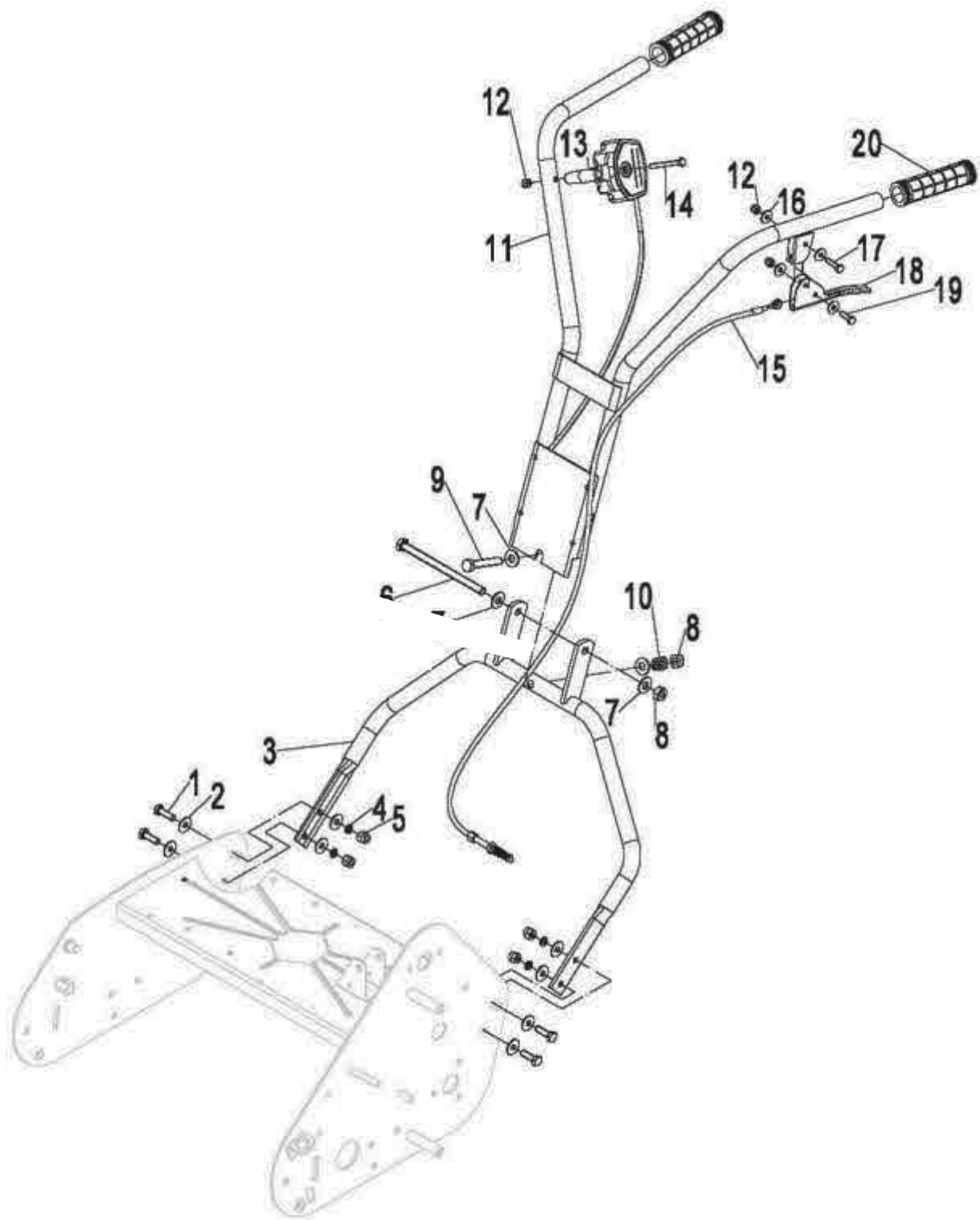
SPARE PARTS LIST: LSCM 1943 6L CYLINDER MOWER

DWG NO.	PART NO.	DESCRIPTION	QTY PER
1		Bolt M8×20	2
2		Nut M8	1
3	G-430-51	Back roller fixed	1
4	G-430-52	Bushing	1
5	G-430-53	Back roller (17")	2
5.1	Refer to 5	Cast iron back roller (17")	2
5.2	Refer to 5	Back roller cover I	2
5.3	Refer to 5	Screw M6×2	6
6	G-430-54	Back roller cover	2
7	G-430-55	Inner gear lock washer 6	6
8		Bolt M6×16	6
9	G-430-57	Dial pin	6
10	G-430-58	Differential mechanism	1
11	G-430-59	Back roller shaft (17")	1
12		Flat key 5×5×16	1
13		Screw M8×20	1



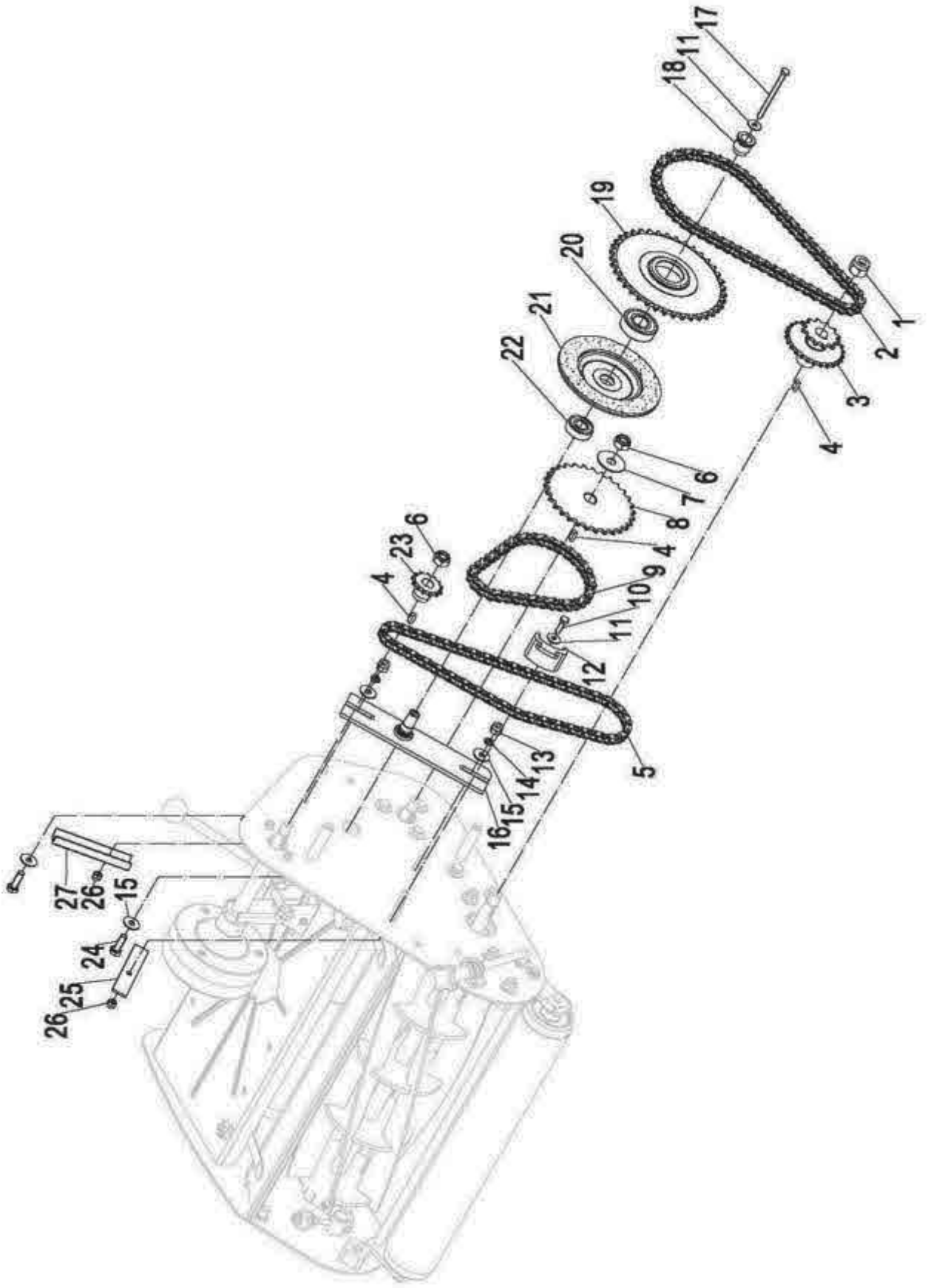
SPARE PARTS LIST: LSCM 1943 6L CYLINDER MOWER

DWG NO.	PART NO.	DESCRIPTION	QTY PER
1		Bolt M8×25	4
2		Washer flat 8	8
3	G-430-62	Down handle((17")	1
4		Washer spring 8	<u>4</u>
5		Lock nut M8	4
6	G-430-65	Bolt M10×150	1
7		Big washer10	4
8		Lock nut M10	2
9		Bolt M10×60	1
10	G-430-69	Spring	1
11	G-430-70	Up handle	1
12		Lock nut M6	3
13	G-430-72	Throttle lever	1
14		BoltM6×55	1
15	G-430-74	Clutch line	1
16		Big washer6	4
17		Bolt M6×25	1
18	G-430-77	Clutch handle	1
19		Bolt M6×20	1
20	G-430-79	Handle set	2



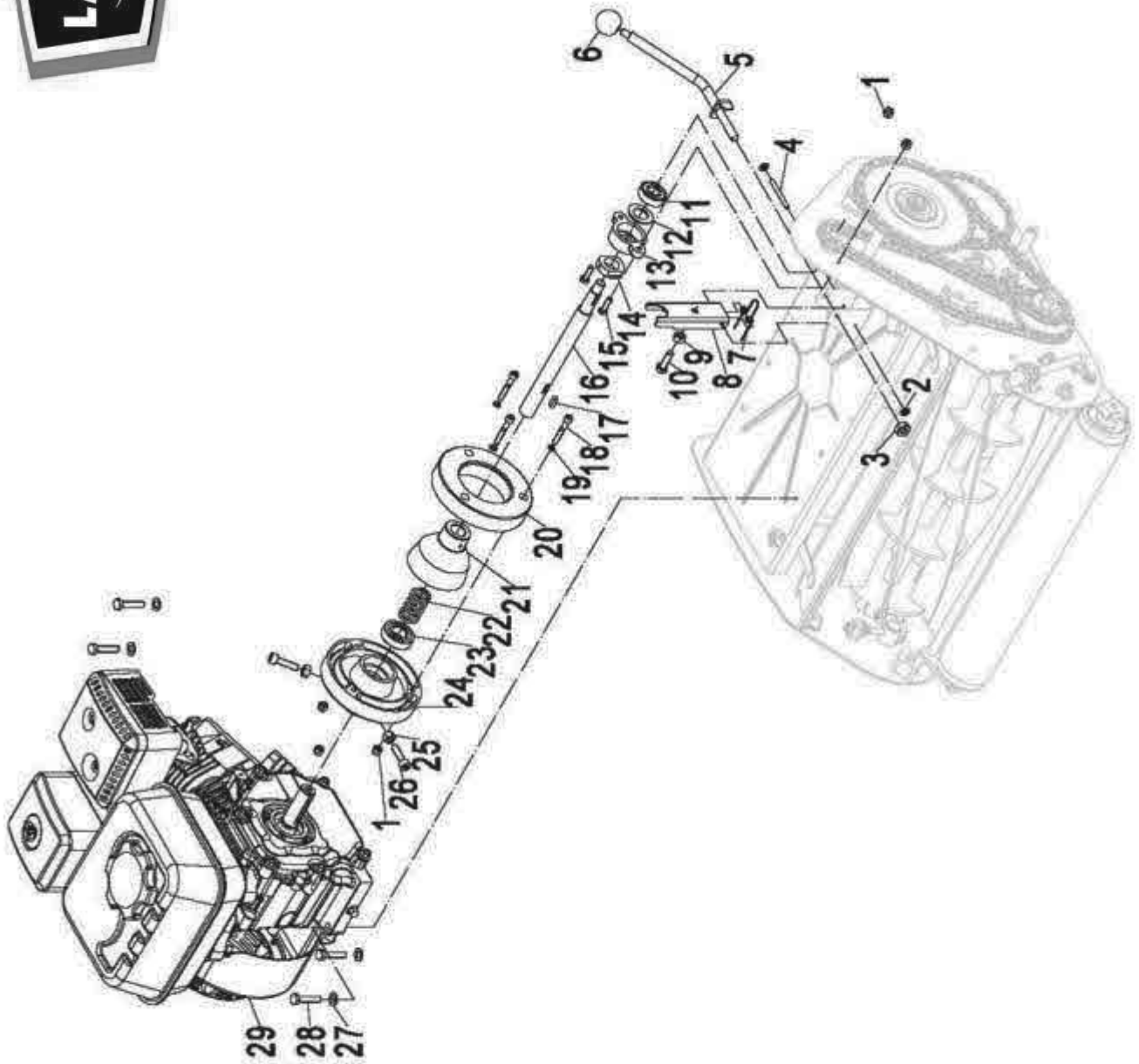
SPARE PARTS LIST: LSCM 1943 6L CYLINDER MOWER

DWG NO.	PART NO.	DESCRIPTION	QTY PER
1	G-430-80	Lock nut M14	1
2	G-430-81	Chain link -60 (084)	1
3	G-430-82	Sprocket 26T-12T	1
4	G-430-83	Flash key5×5×16	<u>3</u>
5	G-430-84	Chain link -80 (06B)	1
6	G-430-85	Lock nut M12	2
7	G-430-86	Washer	1
8	G-430-87	Sprocket 30T	1
9	G-430-88	Chain link -38 (084)	1
10		Bolt M6×20	1
11		Big washer6	1
12	G-430-91	Chain tensioner	1
13		Lock nut M8	2
14		Washer spring 8	2
15		Washer	4
16	G-430-95	Bracket	1
17		Bolt M6×80	1
18	G-430-97	Bushing	1
19	G-430-98	Sprocket 39T	1
20	G-430-99	Bearing 6204-2RZ	1
21	G-430-100	Self propelled friction disk assembly	1
22	G-430-101	Bearing 6202-2Z	1
23	G-430-102	Sprocket 13T	1
24		Bolt M8×25	2
25		Washer	1
26		Lock nut M6	1
27	G-430-106	Clutch fork	1



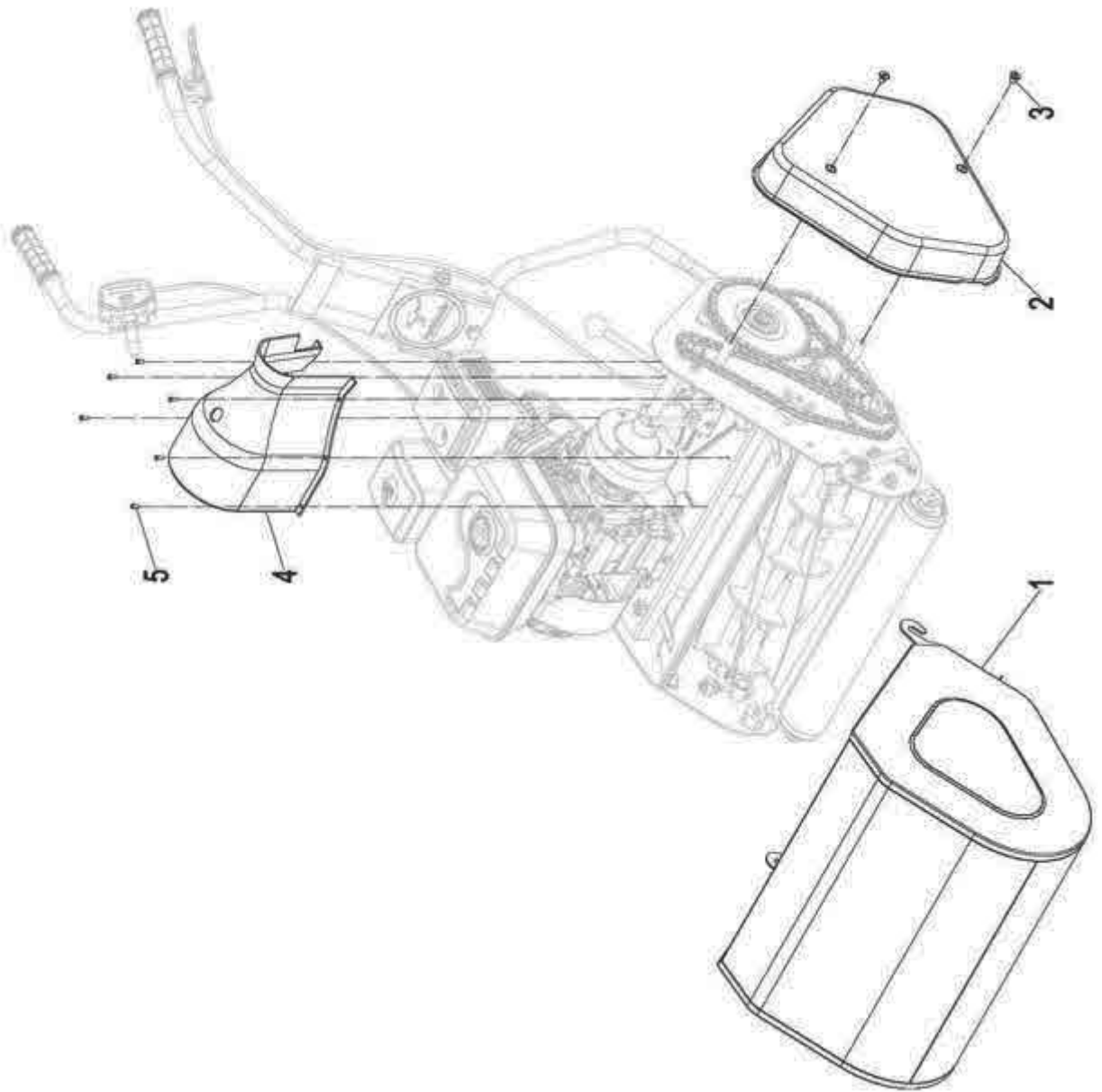
SPARE PARTS LIST: LSCM 1943 6L CYLINDER MOWER

DWG NO.	PART NO.	DESCRIPTION	QTY PER
1		Lock nut M6	5
2	G-430-108	Star lock Φ 5	2
3		Lock nut M10	1
4	G-430-110	Axis of rotation	<u>1</u>
5	G-430-111	Clutch lever	1
6	G-430-112	Ball handle	1
7	G-430-113	Torsional spring	1
8	G-430-114	Clutch fork	1
9		Nut M8	1
10		Bolt M8×25	1
11	G-430-101	Bearing6202-2Z	1
12	G-430-118	Washer	1
13	G-430-119	Housing bearing	1
14	G-430-120	Spacer	1
15		Bolt M6×20	2
16	G-430-122	Drive shaft	1
17	G-430-123	Flat key 5×5×16	1
18		Screw M6×40-黑	3
19	G-430-125	Washer spring 6	3
20	G-430-126	Power clutch female assembly	1
21	G-430-127	Clutch cone	1
22	G-430-128	Spring tension clutch	1
23	G-430-129	Bearing (R12Z)	1
24	G-430-130	Power clutch female	1
25	G-430-131	Nut 5/16-18	2
26	G-430-132	Screw 5/16-18×1¼	2
27		Washer flat 8	4
28		Bolt M8×35	4
29		Loncin G200F	1



SPARE PARTS LIST: LSCM 1943 6L CYLINDER MOWER

DWG NO.	PART NO.	DESCRIPTION	QTY PER
1	G-430-133	Catcher (17")	1
2	G-430-134	Chain case	1
3		Screw M8x12 SS	2
4	G-430-136	Clutch case	<u>1</u>
5		Screw M4x10	6



SPARE PARTS LIST: LSBV 2800 VAC/BLOWER/MULCHER

DWG NO.	PART NO.	DESCRIPTION	QTY PER
1	V-280-01	Wheel assembly	1
2	Refer to 1	Screw self-tapping ST 4.2x18	3
3	Refer to 1	Axle	2
4	Refer to 1	Wheel	2
5	Refer to 1	Wheel bracket	1
6	V-280-06	Harness	1
7	V-280-07	Screw self-tapping ST4.2x15	18
8	V-280-08	Motor housing set	1
9	V-280-09	Spring trigger	1
10	V-280-10	Trigger	1
11	V-280-11	Switch	1
12	V-280-12	Wiring loom	1
13	V-280-13	Rubber motor mount	2
14	V-280-14	Motor sub assembly	1
15	V-280-15	Motor	1
16	V-280-16	Fan	1
17	V-280-17	Nylock Nut M8	1
18	V-280-18	Insulation cap	1
19	V-280-19	Cable clamp	1
20	V-280-20	Cord protector	1
21	V-280-21	Cord power supply	1
22	V-280-22	Motor housing set (See 8)	1
23	V-280-23	function selector knob	1
24	V-280-24	Selector flap	1
25	V-280-25	Upper suction chute	1
26	V-280-26	Collection bag	1
27	V-280-27	Screw self-tapping ST4.2x50	2
28	V-280-28	Lower suction chute	1
29	V-280-29	Adaptor collection bag	1